

# PANDJIRIS, INC

5151 Northrup • St. Louis, MO 63110 • (314) 776-6893

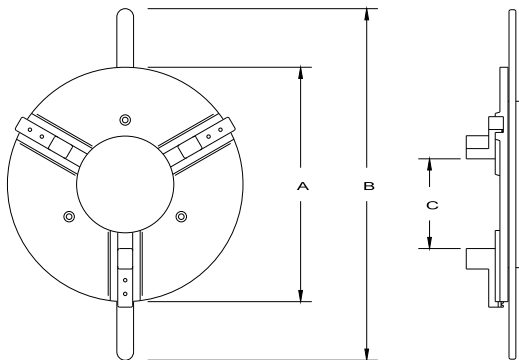
## "J" SERIES GRIPPER (FOR ALPHA 5.3 POSITIONERS ONLY)

Dual lever rotary screw operation of the jaws and adjustable reversible jaws for small and large diameter workpieces. Gripper designed to effectively clamp internally or externally as required for your specific workpiece.

Holding Capacity (outside clamping) Diameter ..... 3/8" to 11-1/4"  
 Holding Capacity (inside clamping) Diameter ..... 4-1/4" to 15"  
 Chuck Jaws ..... (3) Self-Centering  
 Chuck Adjustment ..... Dual lever/rotary screw  
 Jaws Attachment ..... Reversible, Rotary Screw  
 Mounting Holes ..... (3) for 5/16" - 18 x 1-1/4" Socket Head Cap Screws on a 4-3/4" B.C.D.  
 Weight ..... 20 lb.

"J" SERIES GRIPPER						
CAPACITY	MODEL	DIMENSIONS PER DRAWING			THRU HOLE	APPROXIMATE SHIPPING WT. (pounds)
		A	B	C		
250#	J-15	10"	17-1/2"	*	4" dia.	20

\* Reference Specifications Above



**Terms:** Pandjiris, Inc. standard terms and conditions apply, f.o.b. Factory, St. Louis, Missouri, or designated ship point.

**Delivery:** Consult factory.

### PRICE LIST

For Bulletin No. : JG788  
 Effective Date : July 24, 2001  
 Page Number : B-1

**PANDJIRIS, INC**

5151 Northrup • St. Louis, MO 63110 • (314) 776-6893