

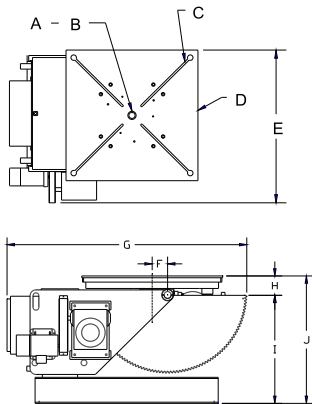
PANDJIRIS, INC

5151 Northrup • St. Louis, MO 63110 • (314) 776-6893

12,000 LB. CAPACITY WELDING POSITIONER (MODEL 120-12)

The **Model 120-12 MVRMTAB Positioner** has a motorized variable speed rotation with Forward-Stop-Reverse switch and dynamic braking. The rotation speed is variable from 0.02 to .73 RPM with motorized tilt infinitely variable through 135 degrees. A 54" square table with adjustable height to allow full tilting capability is standard. All wiring conforms to National Electrical Code Standards. The positioner operates on 230/460 volt, three phase, 60 cycle input power, draws 58.2 Amps at 230V. When ordering specify 230 or 460 volts. A field changeable plug-in hand pendant includes "Forward-Stop-Reverse-Weld/Rapid" buttons and a speed adjustment potentiometer on 25' of cable as standard.

- Load capacity 12,000 lb. 12 inch overhung from face of table, 12 inch eccentricity.
- Rotational motor size 5 H.P. motor.
- Rotation speed Variable from .02 to .73 RPM.
- Rotation torque 144,000 inch pounds.
- Swing radius 47" to 74" @ 90° tilt.
- Tilt range 0 through 135 degrees, motorized tilt.
- Tilt motor size 5 H.P. AC Brakemotor.
- Tilt speed 135 degrees in 45 seconds.
- Tilt torque 250,000 inch pounds inherent.



A	Pilot Hole	5-1/4" ϕ x 7/16" Deep
B	Thru Hole	None
C	"T" Slot Quantity	4
	ANSI Std "T" Nut size	3/4"
D	Table Size	54" sq.
E	Overall Width	69-1/2"
F	Rotation Offset	0"
G	Overall Length	101-1/4"
H	Inherent Overhang	8-7/8"
I	Tilt Axis Height	49-5/8"
J	Table Height	min 58-1/2"
	(6) Positions	max 87-7/8"

Terms: Pandjiris, Inc. standard terms and conditions apply, f.o.b. Factory, St. Louis, Missouri, or designated ship point.

Delivery: Consult Factory

Approximate shipping weight: 5,500 lbs.

PRICE LIST	
For Bulletin No.	: PC 0991
Effective Date	: May, 2005
Page Number	: A-23

PANDJIRIS, INC

5151 Northrup • St. Louis, MO 63110 • (314) 776-6893

POSITIONERS Optional Accessories

Foot switch with compatible plug for Forward/Stop/Reverse (speed potentiometer on hand pendant)

Foot switch, Fast-Slow with compatible plug

Preset digital tachometer with compatible plug reads speed in RPM

Dialweld™, (shows linear speed in IPM for diameter set on diameter selector. Dial diameter to be welded, dial weld speed, table RPM is automatically set to weld diameter at selected welding speed) digital meter with compatible plug reads IPM or CmPM

Tach feedback for precision speed control for Models up to 120-12

25' Extension Cable with compatible plugs for standard pendants and accessories

Model 600 PT Copper Welding Ground

Model 1200 PT Copper Welding Ground

For powered elevation of table height consult factory.

Terms: Pandjiris, Inc. standard terms and conditions apply, f.o.b. Factory, St. Louis, Missouri, or designated ship point.

Delivery: Consult Factory

PRICE LIST

For Bulletin No. : PC 0991
Effective Date : May, 2005
Page Number : A-24

PANDJIRIS, INC

5151 Northrup • St. Louis, MO 63110 • (314) 776-6893