

PANDJIRIS, INC

5151 Northrup • St. Louis, MO 63110 • (314) 776-6893

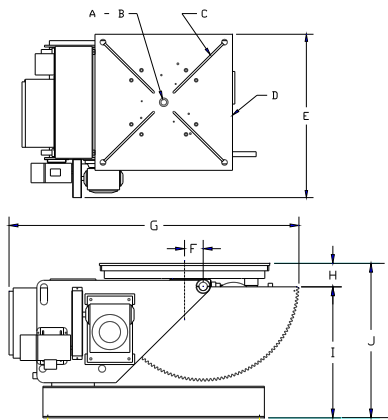
1,500 LB. CAPACITY WELDING POSITIONER (MODEL 15-4)

The **Model 15-4 MVRHTFB Positioner** has a motorized variable speed rotation with Forward-Stop-Reverse switch and dynamic braking. The rotation speed is variable from 0.08 to 1.60 RPM with hand crank tilt infinitely variable through 135 degrees. A 24" square table with fixed height at 23-1/4" to allow full tilting capability is standard. All wiring conforms to National Electrical Code Standards. The positioner operates on 115 volt, single phase, 60 cycle input power, draws 10 Amps. A field changeable plug-in hand pendant includes "Forward-Stop-Reverse-Weld/Rapid" buttons and a speed adjustment potentiometer on 25' of cable.

Load capacity 1,500 lb. 4 inch overhung from face of table, 4 inch eccentricity.
 Swing radius 20" @ 90° tilt.
 Rotational motor size 1/2 H.P. motor.
 Rotation speed Variable from .08 to 1.60 RPM.
 Rotation torque 6,000 inch pounds.
 Tilt range 0 through 135 degrees, hand crank.

The **Model 15-4 MVRMTAB Positioner** is the same as above except with motorized tilt and an adjustable base and a swing radius from 20" to 33" @ 90° tilt. Draws 20 amps.

Tilt motor size 1/2 H.P. AC Brakemotor.
 Tilt Speed 135 degrees in 22 seconds.
 Tilt Torque 12,000 inch pounds inherent.



A	Pilot Hole	2" ϕ x 1" Deep
B	Thru Hole	3/4" ϕ
C	"T" Slot Quantity	4
	ANSI Std "T" Nut size	1/2"
D	Table Size	24" sq.
E	Overall Width	30-1/4"
F	Rotation Offset	3"
G	Overall Length	45-3/4"
H	Inherent Overhang	4"
I	Tilt Axis Height	19-1/2"
J	Table Height	min 23-1/2"
	(3) Positions	max 37-1/2"

Terms: Pandjiris, Inc. standard terms and conditions apply, f.o.b. Factory, St. Louis, Missouri, or designated ship point.

Delivery: Consult Factory

Approximate shipping weight: 750 lbs.

PRICE LIST

For Bulletin No. : PC 0991
 Effective Date : May, 2005
 Page Number : A-11

PANDJIRIS, INC

5151 Northrup • St. Louis, MO 63110 • (314) 776-6893

POSITIONERS Optional Accessories

Foot switch with compatible plug for Forward/Stop/Reverse (speed potentiometer on hand pendant)

Foot switch, Fast-Slow with compatible plug

Preset digital tachometer with compatible plug reads speed in RPM

Dialweld® (shows linear speed in IPM for diameter set on diameter selector. Dial diameter to be welded, dial weld speed, table RPM is automatically set to weld diameter at selected welding speed) digital meter with compatible plug reads IPM or CmPM

Tach feedback for precision speed control for Models up to 120-12

25' Extension Cable with compatible plugs for standard pendants and accessories

Model 600 PT Copper Welding Ground

Model 1200 PT Copper Welding Ground

OS-15 Outboard Support Stand, 1,500# capacity

Note: The 15-4 Fixed Base positioner will not accommodate the OS-15 stand due to the positioner's limited height.

In order to utilize the OS-15 stand with the 15-4 FB positioner, the positioner must be mounted onto a riser block.

The design and fitness of purpose of such a riser block is the sole responsibility of the purchaser.

Terms: Pandjiris, Inc. standard terms and conditions apply, f.o.b. Factory, St. Louis, Missouri, or designated ship point.

Delivery: Consult Factory

PRICE LIST

For Bulletin No. : PC 0991
Effective Date : May, 2005
Page Number : A-12