

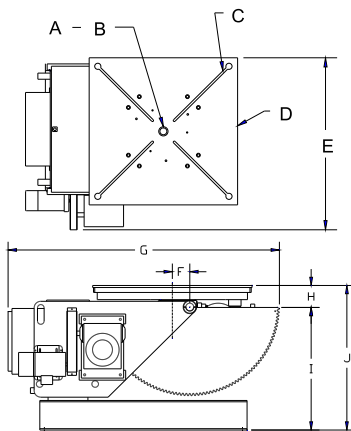
PANDJIRIS, INC

5151 Northrup • St. Louis, MO 63110 • (314) 776-6893

3,000 LB. CAPACITY WELDING POSITIONER (MODEL 30-12)

The **Model 30-12 MVRMTAB Positioner** has a motorized variable speed rotation with Forward-Stop-Reverse switch and dynamic braking. The rotation speed is variable from 0.03 to 1.1 RPM with motorized tilt infinitely variable through 135 degrees. A 42" square table with adjustable height to allow full tilting capability is standard. All wiring conforms to National Electrical Code Standards. The positioner operates on 230/460 volt, three phase, 60 cycle input power, draws 20.2 Amps at 230V. When ordering specify 230 or 460 volts. A field changeable plug-in hand pendant includes "Forward-Stop-Reverse-Weld/Rapid" buttons and a speed adjustment potentiometer on 25' of cable as standard.

- Load capacity 3,000 lb. 12 inch overhung from face of table, 12 inch eccentricity.
- Rotational motor size 1-1/2 H.P. motor.
- Rotation speed Variable from .03 to 1.1 RPM.
- Rotation torque 36,000 inch pounds.
- Swing radius 32" to 50-1/2" @ 90° tilt.
- Tilt range 0 through 135 degrees, motorized.
- Tilt motor size 1-1/2 H.P. AC Brakemotor.
- Tilt Speed 135 degrees in 30 seconds.
- Tilt Torque 53,750 inch pounds inherent.



A	Pilot Hole	3" ϕ x 1/4" Deep
B	Thru Hole	1-1/2" ϕ
C	"T" Slot Quantity	4
	ANSI Std "T" Nut size	5/8"
D	Table Size	42" sq.
E	Overall Width	48-1/8"
F	Rotation Offset	5"
G	Overall Length	65"
H	Inherent Overhang	6-1/8"
I	Tilt Axis Height	29-3/8"
J	Table Height	min 35-1/2"
	(5) Positions	max 55-1/2"

Terms: Pandjiris, Inc. standard terms and conditions apply, f.o.b. Factory, St. Louis, Missouri, or designated ship point.

Delivery: Consult Factory

Approximate shipping weight: 2,400 lbs.

PRICE LIST

For Bulletin No. : PC 0991
Effective Date : June 15, 2005
Page Number : A-15

PANDJIRIS, INC

5151 Northrup • St. Louis, MO 63110 • (314) 776-6893

POSITIONERS Optional Accessories

Foot switch with compatible plug for Forward/Stop/Reverse (speed potentiometer on hand pendant)

Foot switch, Fast-Slow with compatible plug

Preset digital tachometer with compatible plug reads speed in RPM

Dialweld®, (shows linear speed in IPM for diameter set on diameter selector. Dial diameter to be welded, dial weld speed, table RPM is automatically set to weld diameter at selected welding speed) digital meter with compatible plug reads IPM or CmPM

Tach feedback for precision speed control for Models up to 120-12

25' Extension Cable with compatible plugs for standard pendants and accessories

Model 600 PT Copper Welding Ground

Model 1200 PT Copper Welding Ground

For powered elevation of table height consult factory.

Terms: Pandjiris, Inc. standard terms and conditions apply, f.o.b. Factory, St. Louis, Missouri, or designated ship point.

Delivery: Consult Factory

PRICE LIST

For Bulletin No. : PC 0991
Effective Date : June 15, 2005
Page Number : A-16