

PANDJIRIS, INC

5151 Northrup • St. Louis, MO 63110 • (314) 776-6893

WELDING POSITIONER (MODEL 30-6)

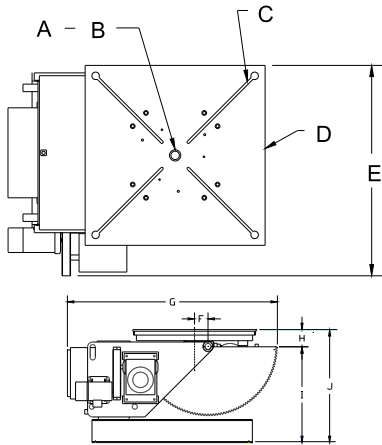
The **Model 30-6 MVRMTFB Positioner** has a motorized variable speed rotation with Forward-Stop-Reverse switch and dynamic braking. The rotation speed is variable from 0.046 to 1.40 RPM with motorized tilt infinitely variable through 135 degrees. A 30" square table with fixed height at 32-5/8" to allow full tilting capability is standard. All wiring conforms to National Electrical Code Standards. The positioner operates on 460 volt, three phase, 60 cycle input power, (230V three phase or 120V 1 phase available upon request). When ordering specify 120, 230 or 460 volts. A field changeable plug-in hand pendant includes "Forward-Stop-Reverse-Weld/Rapid" buttons and a speed adjustment potentiometer on 25' of cable as standard.

- Load capacity 3,000 lb. 6 inch overhung from face of table, 6 inch eccentricity.
- Rotational motor size 1 H.P. motor.
- Rotation speed Variable from .046 to 1.40 RPM.
- Swing radius 28" @ 90° tilt.
- Tilt range 0 through 135 degrees, motorized.
- Tilt motor size 3/4 H.P. AC Brakemotor.
- Tilt Speed 135 degrees in 36 seconds.
- Tilt Torque 35,250 inch pounds inherent.

PRICE **\$12,850.00**

The **Model 30-6 MVRMTAB Positioner** is the same as above except with an adjustable base and a swing radius from 28" to 47" @ 90° tilt.

PRICE **\$13,600.00**



A	Pilot Hole	2-3/4" ϕ x 1/4" Deep	
B	Thru Hole	1-1/2" ϕ	
C	"T" Slot Quantity	4	
	ANSI Std "T" Nut size	5/8"	
D	Table Size	30" sq.	
E	Overall Width	39-1/4"	
F	Rotation Offset	4"	
G	Overall Length	58-1/4"	
H	Inherent Overhang	5-3/4"	
I	Tilt Axis Height	27-1/4" - Adj. Base 26-7/8" - Fixed Base	
J	Table Height	min	33"
	(5) Positions	max	53"

Terms: Pandjiris, Inc. standard terms and conditions apply, f.o.b. Factory, St. Louis, Missouri, or designated ship point.

Delivery: Consult Factory

Approximate shipping weight: 1,750 lbs.

PRICE LIST	
Effective Date	November 2017
Page Number	: A-13

PANDJIRIS, INC

5151 Northrup • St. Louis, MO 63110 • (314) 776-6893

POSITIONERS Optional Accessories

Foot switch with compatible plug for Forward/Stop/Reverse (speed potentiometer on hand pendant), Add	\$ 905.00
Foot switch, Fast-Slow with compatible plug, Add	\$ 905.00
Preset digital tachometer with compatible plug reads speed in RPM, Add	\$ 865.00
Dialweld®, (shows linear speed in IPM for diameter set on diameter selector. Dial diameter to be welded, dial weld speed, table RPM is automatically set to weld diameter at selected welding speed) digital meter with compatible plug reads IPM or CmPM, Add	\$ 1,190.00
25' Extension Cable with compatible plugs for standard pendants and accessories, Add	\$ 350.00
Model 600 PT Copper Welding Ground	\$ 465.00
Model 1200 PT Copper Welding Ground	\$ 900.00
OS-15 Outboard Support Stand, 1,500# capacity	\$ 830.00
OS-30 Outboard Support Stand, 3,000# capacity	\$ 1,110.00
OS-30 Outboard Support Stand with Steel Wheels	\$ 1,240.00
For 30" Round Table, add	\$ 275.00
For Blanchard Ground Table, add	\$ 605.00

For powered elevation of table height consult factory.

Tachometer Feedback for Precision Speed Control, Add	\$ 2,285.00
--	-------------

Terms: Pandjiris, Inc. standard terms and conditions apply, f.o.b. Factory, St. Louis, Missouri, or designated ship point.

Delivery: Consult Factory

PRICE LIST

For Bulletin No. : PC 0991
Effective Date : January, 2014
Page Number : A-14