

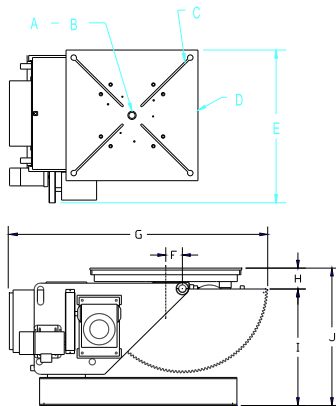
PANDJIRIS, INC

5151 Northrup • St. Louis, MO 63110 • (314) 776-6893

40,000 LB. CAPACITY WELDING POSITIONER (MODEL 400-12)

The **Model 400-12 MVRMTAB Positioner** has a motorized variable speed rotation with Forward-Stop-Reverse switch and dynamic braking. The rotation speed is variable from 0.01 to .50 RPM with motorized tilt infinitely variable through 135 degrees. A 84" square table with adjustable height to allow full tilting capability is standard. All wiring conforms to National Electrical Code Standards. The positioner operates on 230/460 volt, three phase, 60 cycle input power, draws 48 Amps at 230V. When ordering specify 230 or 460 volts. A field changeable plug-in hand pendant includes "Forward-Stop-Reverse-Weld/Rapid" buttons and a speed adjustment potentiometer on 25' of cable as standard.

- Load capacity 40,000 lb. 12 inch overhung from face of table, 12 inch eccentricity.
- Rotational motor size 7-1/2 H.P. motor.
- Rotation speed Variable from .01 to .50 RPM.
- Rotation torque 480,000 inch pounds.
- Swing radius 54" to 102" @ 90° tilt.
- Tilt range 0 through 135 degrees, motorized tilt.
- Tilt motor size 7-1/2 H.P. AC Brakemotor.
- Tilt speed 135 degrees in 95 seconds.
- Tilt torque 1,170,000 inch pounds inherent.



A	Pilot Hole	5.00" ϕ x 1/4" Deep
B	Thru Hole	None
C	"T" Slot Quantity	4
	ANSI Std "T" Nut size	1-1/4"
D	Table Size	84" sq.
E	Overall Width	100"
F	Rotation Offset	9-1/4"
G	Overall Length	115"
H	Inherent Overhang	12"
I	Tilt Axis Height	58"
J	Table Height	min 70"
	(5) Positions	max 114"

Terms: Pandjiris, Inc. standard terms and conditions apply, f.o.b. Factory, St. Louis, Missouri, or designated ship point.

Delivery: Consult Factory

Approximate shipping weight: 15,500 lbs.

PRICE LIST

For Bulletin No. : PC 0991
Effective Date : May, 2005
Page Number : A-27

PANDJIRIS, INC

5151 Northrup • St. Louis, MO 63110 • (314) 776-6893

POSITIONERS Optional Accessories

Foot switch with compatible plug for Forward/Stop/Reverse (speed potentiometer on hand pendant)

Foot switch, Fast-Slow with compatible plug

Preset digital tachometer with compatible plug reads speed in RPM

Dialweld®, (shows linear speed in IPM for diameter set on diameter selector. Dial diameter to be welded, dial weld speed, table RPM is automatically set to weld diameter at selected welding speed) digital meter with compatible plug reads IPM or CmPM

Tach feedback for precision speed control for Models up to 120-12

25' Extension Cable with compatible plugs for standard pendants and accessories

Model 600 PT Copper Welding Ground

Model 1200 PT Copper Welding Ground

For powered elevation of table height consult factory.

Terms: Pandjiris, Inc. standard terms and conditions apply, f.o.b. Factory, St. Louis, Missouri, or designated ship point.

Delivery: Consult Factory

PRICE LIST

For Bulletin No. : PC 0991
Effective Date : May, 2005
Page Number : A-28