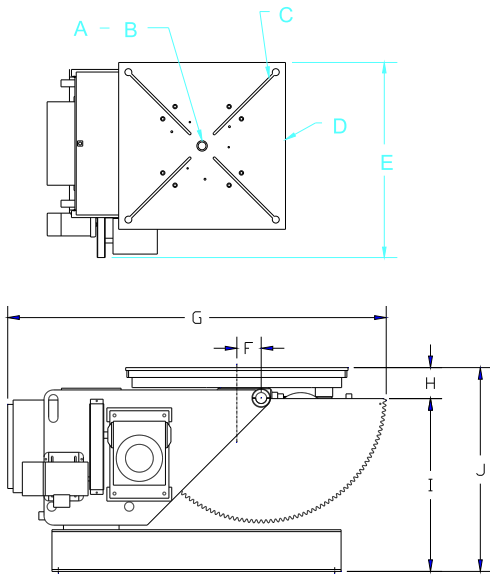


4,500 LB. CAPACITY WELDING POSITIONER (MODEL 45-12)

The **Model 45-12 MVRMTAB Positioner** has a motorized variable speed rotation with Forward-Stop-Reverse switch and dynamic braking. The rotation speed is variable from 0.03 to .97 RPM with motorized tilt infinitely variable through 135 degrees. A 48" square table with adjustable height to allow full tilting capability is standard. All wiring conforms to National Electrical Code Standards. The positioner operates on 460 volt, three phase, 60 cycle input power, (230V available upon request). When ordering specify 230 or 460 volts. A field changeable plug-in hand pendant includes "Forward-Stop-Reverse-Weld/Rapid" buttons and a speed adjustment potentiometer on 25' of cable as standard.

- Load capacity 4,500 lb. 12 inch overhung from face of table, 12 inch eccentricity.
- Rotational motor size 1-1/2 H.P. motor.
- Rotation speed Variable from .03 to .97 RPM.
- Rotation torque 54,000 inch pounds.
- Swing radius 34-5/8" to 51-1/8" @ 90° tilt
- Tilt range 0 through 135 degrees, motorized.
- Tilt motor size 1-1/2 H.P. AC Brakemotor.
- Tilt Speed 135 degrees in 30 seconds.
- Tilt Torque 79,875 inch pounds inherent.



A	Pilot Hole	3" ϕ x 1/4" Deep
B	Thru Hole	2-1/4" ϕ
C	"T" Slot Quantity	4
	ANSI Std "T" Nut size	5/8"
D	Table Size	48" sq.
E	Overall Width	54-3/16"
F	Rotation Offset	5"
G	Overall Length	67-11/16"
H	Inherent Overhang	5-3/4"
I	Tilt Axis Height	33-1/4"
J	Table Height	min 39"
	(4) Positions	max 57"

Terms: Pandjiris, Inc. standard terms and conditions apply, f.o.b. Factory, St. Louis, Missouri, or designated ship point.

Delivery: Consult Factory

Approximate shipping weight: 3,000 lbs.

PRICE LIST	
For Bulletin No.	: PC 0991
Effective Date	: Feb 2014
Page Number	: A-17

POSITIONERS Optional Accessories

Foot switch with compatible plug for Forward/Stop/Reverse (speed potentiometer on hand pendant),
Foot switch, Fast-Slow with compatible plug,
Preset digital tachometer with compatible plug reads speed in RPM,
Dialweld®, (shows linear speed in IPM for diameter set on diameter selector. Dial diameter to be welded,
dial weld speed, table RPM is automatically set to weld diameter at selected welding speed) digital
meter with compatible plug reads IPM or CmPM,
25' Extension Cable with compatible plugs for standard
pendants and accessories,
OS-30 Outboard Support Stand, 3,000# capacity
Model 600 PT Copper Welding Ground
Model 1200 PT Copper Welding Ground
For powered elevation of table height consult factory.

PRICE LIST

For Bulletin No. : PC 0991
Effective Date : Feb 2014
Page Number : A-18