

# PANDJIRIS, INC

5151 Northrup • St. Louis, MO 63110 • (314) 776-6893

## MM-60/30-T TURNING ROLL

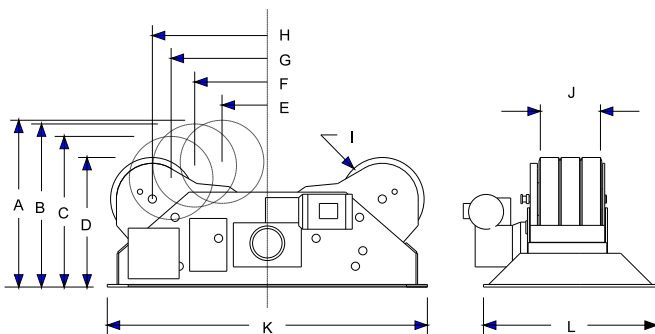
The **MM-60/30-T Power Roll** has a capacity of 60 tons turning and 30 tons support with a speed range of 2.0 to 61.4 IPM. It provides a constant centerline of operation while requiring less floor space than other rolls their size, and are easily changeable for varying size tank diameters. A unique and exclusive drive roll connection is positively driven by spur gears for a firm power flow. All "MM" rolls have electronic variable speed controls infinitely variable between a specified range. They also all come with a field changeable plug-in hand pendant, including "Forward-Stop-Reverse-Weld/Rapid" buttons and a speed potentiometer on 25' of cable. This product is wired for 230/460 volts, single phase, 60 cycle, draws 30 amps @ 230 VAC. All wiring conforms to National Electrical Code Standards.

Turning Capacity	120,000 lbs.
Tractive Effort	5,543 lbs.
Load Capacity	60,000 lbs.
Pipe Diameter Range	12" thru 16"
Speed Range	2.0 to 61.4 IPM
Motor Horse Power Rating	3 HP
Wheel Diameter	20"
Combined Wheel Face	15"

The **MI-30-T Idler Roll** has 30 tons support capacity each.

Weight Capacity of (1) MM-60 and (1) MI-30-T ..... 60 tons

A	Wheel Height	40.12"	G	Spacing for Cylinder $\varnothing$ 100" - 156"	30.00"
B	Wheel Height	42.16"	H	Spacing for Cylinder $\varnothing$ 122" - 192"	35.63"
C	Wheel Height	39.74"	I	Wheel Diameter	20"
D	Wheel Height	33.79"	J	Wheel Face	15"
E	Spacing for Cylinder $\varnothing$ 12" - 62"	13.75"	K	Frame Length - Power or Idler	94"
F	Spacing for Cylinder $\varnothing$ 60" - 102"	20.87"	L	Frame Width - Power/Idler	42" / 38"



**Terms:** Pandjiris, Inc. standard terms and conditions apply, f.o.b. Factory, St. Louis, Missouri, or designated ship point.

**Delivery:** Consult Factory

Approximate shipping weight:  
 MM-60 3,500 lbs.  
 MI-30-T 1,900 lbs.

### PRICE LIST

For Bulletin No. : 15367-A  
 Effective Date : April 1, 1998  
 Page Number : C-15

# **PANDJIRIS, INC**

5151 Northrup • St. Louis, MO 63110 • (314) 776-6893

## **MISSOURI MULE TURNING ROLL Optional Accessories**

**NOTE:** For steel wheels in place of rubber tires on all rolls listed

For foot switch with compatible plug for Forward/Stop/Reverse (speed potentiometer on hand pendant)

For foot switch, Fast-Slow with compatible plug

For preset digital tachometer with compatible plug reads speed in IPM or CmPM

For 25' Extension Cable with compatible plugs for standard pendants and accessories

For special voltages on MM-15/5T & MM-30/15T

For special voltages on MM-60/30T

For special voltages on MM-90/45T

### **PRICE LIST**

For Bulletin No. : 15367-A  
Effective Date : June 1, 1995  
Page Number : C-16