

PANDJIRIS, INC

5151 Northrup • St. Louis, MO 63110 • (314) 776-6893

MODEL PR-100/34 TURNING ROLL

The **Model PR-100/34 Turning Roll** has a capacity of 50 tons turning and 17 tons support. It features Pandjiris' exclusive torque-tube wheel design sealed bearings, alloy shafts, and totally enclosed fan cooled (TEFC) motors with electronic drives. It comes with field changeable plug-in hand pendants including "Forward-Stop-Reverse-Weld/Rapid" buttons and a speed adjustment potentiometer on 25' of cable. All "PR" models have electronic variable speed controls infinitely variable between a specified range. This product is wired for 230/460 volts, single phase, 60 cycle, draws 30 amps @ 230 VAC. All wiring conforms to National Electrical Code Standards.

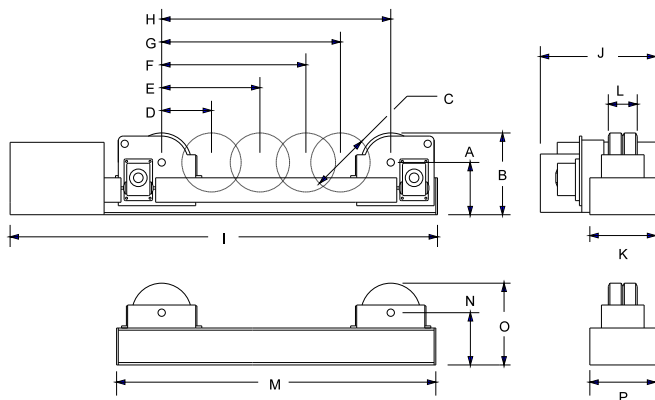
Turning Capacity 100,000 lbs.
 Tractive Effort 4,619 lbs
 Load Capacity 34,000 lbs.
 Pipe Diameter Range 12" thru 21"
 Speed Range 2.8 to 66.2 ipm
 Motor Horse Power Rating 3.0 HP
 Wheel Diameter 20"
 Combined Wheel Face 10"

The **Model IR-34 Idler Roll** has 17 tons support capacity.

Weight Capacity of IR-34 34,000 lbs
 Weight Capacity of (1) PR-100 with (1) IR-34 68,000 lbs
 Weight Capacity of (1) PR-100 with (2) IR-34 100,000 lbs

A	Axle Height	17"
B	Wheel Height	27"
C	Wheel Diameter	20"
D	Spacing for Cylinder ϕ 12" - 57"	26-1/2"
E	Spacing for Cylinder ϕ 36" - 106"	43"
F	Spacing for Cylinder ϕ 60" - 153"	59-1/2"
G	Spacing for Cylinder ϕ 90" - 202"	76"
H	Spacing for Cylinder ϕ 160" - 250"	92-1/2"

I	Overall Length Power Roll	153-3/4"
J	Overall Width Power Roll	39-1/2"
K	Frame Width Power Roll	22"
L	Combined Wheel Face	10"
M	Overall Length Idler Roll	118"
N	Axle Height	17"
O	Wheel Height	27"
P	Frame Width Idler Roll	22"



Terms: Pandjiris, Inc. standard terms and conditions apply, f.o.b. Factory, St. Louis, Missouri, or designated ship point.

Delivery: Consult Factory
 Approximate shipping weight:
 PR-100 3,000 lbs.
 IR-34 1,400 lbs.

PRICE LIST	
For Bulletin No. :	PW-1274
Effective Date :	Mar. 15, 1996
Page Number :	C-23

PANDJIRIS, INC

5151 Northrup • St. Louis, MO 63110 • (314) 776-6893

PR SERIES TURNING ROLLS Optional Accessories

For steel wheels in place of rubber wheels

For foot switch with compatible plug for Forward/Stop/Reverse
(speed potentiometer on hand pendant)

For foot switch, Fast-Slow with compatible plug

For preset digital tachometer with compatible plug reads
speed in IPM or CmPM

For 25' Extension Cable with compatible plugs for standard
pendants and accessories

For special voltages, PR-30/10 thru PR-100/34

For special voltages, PR-180/60 thru PR-270/90

For special voltages, PR-400/200 thru PR-480/120

PRICE LIST

For Bulletin No. : PW-1274-A
Effective Date : June 1, 1995
Page Number : C-24