

# PANDJIRIS, INC

5151 Northrup • St. Louis, MO 63110 • (314) 776-6893

## MODEL PR-270/90 TURNING ROLL

The **Model PR-270/90 Turning Roll** has a capacity of 135 tons turning and 45 tons support. It features Pandjiris' exclusive torque-tube wheel design sealed bearings, alloy shafts, and totally enclosed fan cooled (TEFC) motors with electronic drives. It comes with field changeable plug-in hand pendants including "Forward-Stop-Reverse-Weld/Rapid" buttons and a speed adjustment potentiometer on 25' of cable. All "PR" models have electronic variable speed controls infinitely variable between a specified range. This product is wired for 230/460 volts, single phase, 60 cycle, draws 43 amps @ 230 VAC. All wiring conforms to National Electrical Code Standards.

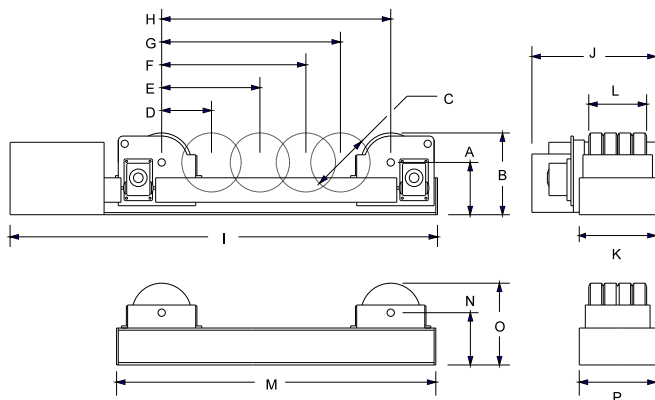
Turning Capacity . . . . . 270,000 lbs.  
 Tractive Effort . . . . . 12,471 lbs  
 Load Capacity . . . . . 90,000 lbs.  
 Pipe Diameter Range . . . . . 12" thru 21"  
 Speed Range . . . . . 2 to 48 ipm  
 Motor Horse Power Rating . . . . . 3 HP  
 Wheel Diameter . . . . . 20"  
 Combined Wheel Face . . . . . 20"

The **Model IR-90 Idler Roll** has 45 tons support capacity.

Weight Capacity of IR-90 . . . . . 90,000 lbs  
 Weight Capacity of (1) PR-270 with (1) IR-90 . . . . . 180,000 lbs  
 Weight Capacity of (1) PR-270 with (2) IR-90 . . . . . 270,000 lbs

A	Axle Height	17"
B	Wheel Height	27"
C	Wheel Diameter	20"
D	Spacing for Cylinder $\phi$ 12" - 57"	26-1/2"
E	Spacing for Cylinder $\phi$ 36" - 106"	43"
F	Spacing for Cylinder $\phi$ 60" - 153"	59-1/2"
G	Spacing for Cylinder $\phi$ 90" - 202"	76"
H	Spacing for Cylinder $\phi$ 160" - 250"	92-1/2"

I	Overall Length Power Roll	155-5/8"
J	Overall Width Power Roll	49-3/4"
K	Frame Width Power Roll	32"
L	Combined Wheel Face	20"
M	Overall Length Idler Roll	118"
N	Axle Height	17"
O	Wheel Height	27"
P	Frame Width Idler Roll	32"



**Terms:** Pandjiris, Inc. standard terms and conditions apply, f.o.b. Factory, St. Louis, Missouri, or designated ship point.

**Delivery:** Consult Factory  
 Approximate shipping weight:  
 PR-270 4,300 lbs.  
 IR-90 2,400 lbs.

<b>PRICE LIST</b>	
For Bulletin No. :	PW-1274-A
Effective Date :	Sept. 27, 1996
Page Number :	C-27

# **PANDJIRIS, INC**

5151 Northrup • St. Louis, MO 63110 • (314) 776-6893

## **PR SERIES TURNING ROLLS Optional Accessories**

For steel wheels in place of rubber wheels

For foot switch with compatible plug for Forward/Stop/Reverse  
(speed potentiometer on hand pendant)

For foot switch, Fast-Slow with compatible plug

For preset digital tachometer with compatible plug reads  
speed in IPM or CmPM

For 25' Extension Cable with compatible plugs for standard  
pendants and accessories

For special voltages, PR-30/10 thru PR-100/34

For special voltages, PR-180/60 thru PR-270/90

For special voltages, PR-400/200 thru PR-480/120

### **PRICE LIST**

For Bulletin No. : PW-1274-A  
Effective Date : June 1, 1995  
Page Number : C-28