

# PANDJIRIS, INC

5151 Northrup • St. Louis, MO 63110 • (314) 776-6893

## MODEL PR-400/200 TURNING ROLL

The **Model PR-400/200 Turning Roll** has a capacity of 200 tons turning and 100 tons support. It features Pandjiris' exclusive torque-tube wheel design sealed bearings, alloy shafts. The power roll uses an AC Motor coupled to a mechanical Vari-Drive to provide speed adjustment through out the speed range identified below. A hand pendant is provided with "Forward-Stop-Reverse" buttons. Speed adjustment is made with the hand crank in the vari-drive. This product is wired for 230/460 volts, 3 phase, 60 cycle, draws 16 amps @ 230 VAC. All wiring conforms to National Electrical Code Standards.

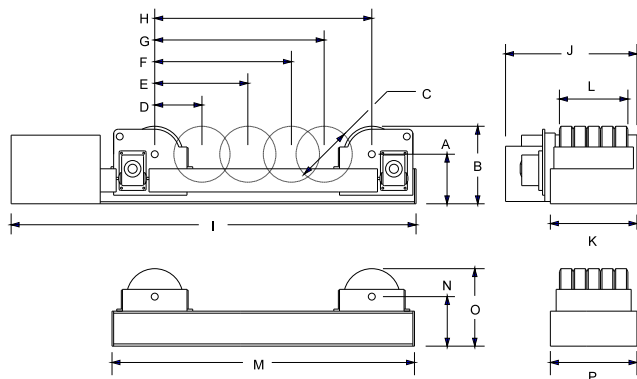
Turning Capacity ..... 400,000 lbs.  
 Tractive Effort ..... 18,476 lbs.  
 Load Capacity ..... 200,000 lbs.  
 Pipe Diameter Range ..... 12" thru 21"  
 Speed Range ..... 5 to 40 IPM  
 Motor Horse Power Rating ..... 5 HP AC Motor (Vari-Drive)  
 Wheel Diameter ..... 20" (Steel Wheels)  
 Combined Wheel Face ..... 24"

The **Model IR-200 Idler Roll** has 100 tons support capacity.

Weight Capacity of IR-200 ..... 200,000 lbs  
 Weight Capacity of (1) PR-400 with (1) IR-200 ..... 400,000 lbs

A	Axle Height	20-1/8"
B	Wheel Height	30-1/8"
C	Wheel Diameter	20"
D	Spacing for Cylinder $\phi$ 12" - 57"	26-1/2"
E	Spacing for Cylinder $\phi$ 36" - 106"	43"
F	Spacing for Cylinder $\phi$ 60" - 153"	59-1/2"
G	Spacing for Cylinder $\phi$ 90" - 202"	76"
H	Spacing for Cylinder $\phi$ 160" - 252"	92-1/2"

I	Overall Length Power Roll	170-1/2"
J	Overall Width Power Roll	55-1/2"
K	Frame Width Power Roll	36"
L	Combined Wheel Face	24"
M	Overall Length Idler Roll	125-1/4"
N	Axle Height	20-1/8"
O	Wheel Height	30-1/8"
P	Frame Width Idler Roll	36"



**Terms:** Pandjiris, Inc. standard terms and conditions apply, f.o.b. Factory, St. Louis, Missouri, or designated ship point.

**Delivery:** Consult Factory  
 Approximate shipping weight:  
 PR-400 7,200 lbs.  
 IR-200 4,200 lbs.

<b>PRICE LIST</b>	
For Bulletin No.	: N/A
Effective Date	: July 1, 2000
Page Number	: C-29

# **PANDJIRIS, INC**

5151 Northrup • St. Louis, MO 63110 • (314) 776-6893

## **PR SERIES TURNING ROLLS Optional Accessories**

For electric remote speed control pendant on 25' of cable  
in place of Vari-Drive hand crank speed adjustment

For special voltages, PR-400/200 thru PR-480/120

### **PRICE LIST**

For Bulletin No. :  
Effective Date : Jan. 16, 1996  
Page Number : C-30