

# PANDJIRIS, INC

5151 Northrup • St. Louis, MO 63110 • (314) 776-6893

## PRECISION SLIDES AND SWIVELS

Pandjiris makes two size slides each available in a number of configurations and lengths. The size of the slide (i.e. load capacity) is determined primarily by the diameter of the load carrying guide rods. The Pandjiris slides use either a 1" diameter hardened guide rod (Model 61-M), or a 1-1/2" diameter hardened guide rod Model 615-M). The lengths of the standard slides are 2" and 6". Lengths up to 12" can be offered based on cost adder per inch. Lengths above 12" can be sized based on the application. Each slide is screw driven, hand wheel operated. Powered models are available in both constant speed and variable speed versions. Other options that are available for the slides include a combination manual/pneumatic slide Model 61-AP, screw covers, and bellows to cover the screw and guide rods. Two swivel models are available, Model SW-180 (+ 90°, 0°, -90° about a vertical axis), and a Rotary Swivel for rotation about a horizontal axis. Additional head adjustments for lead/lag and impingement angles can be offered through the universal torch mounting brackets. The universal torch mounts are configured for each application and may not use the same combination of brackets/swivels on different welding equipment.

For Model 21-M Slide, manual 2" stroke

For Model 61-M Slide, manual 6" stroke

For slide lengths longer than standard, up to 12", add per inch

For screw covers on 6" stroke slide (Reduces stroke by 1")

For bellows to cover guide rods and screw (Increases slide length by 2", stroke remains the same)

For screw and bellows on longer stroke slides

For Model 615-M Slide, manual 6" stroke

For slide lengths longer than standard, up to 12"

For slide strokes over 12"

To motorize above slides, wired complete including joystick control, forward/reverse, 6.63" per minute constant travel speed

To motorize above slides, wired complete including joystick control, reversing and dynamic braking, .3 to 5.3" per minute variable travel speed

Pandjiris 61-AP Slide, manual 4" stroke, 1" diameter hardened ground guide rods hand wheel adjust with 2" pneumatic retraction

Mounting charge for each slide

For SW-180 Swivel, manual rotation of heads for single head or tandem welding of longitudinal and circumferential seams

For Rotary Swivel

For universal torch mounting bracket

90 Degree Mounting Bracket: For mounting slides and torch to carriage

**Terms:** Pandjiris, Inc. standard terms and conditions apply, f.o.b. Factory, St. Louis, Missouri, or designated ship point.  
**Delivery:** Consult Factory

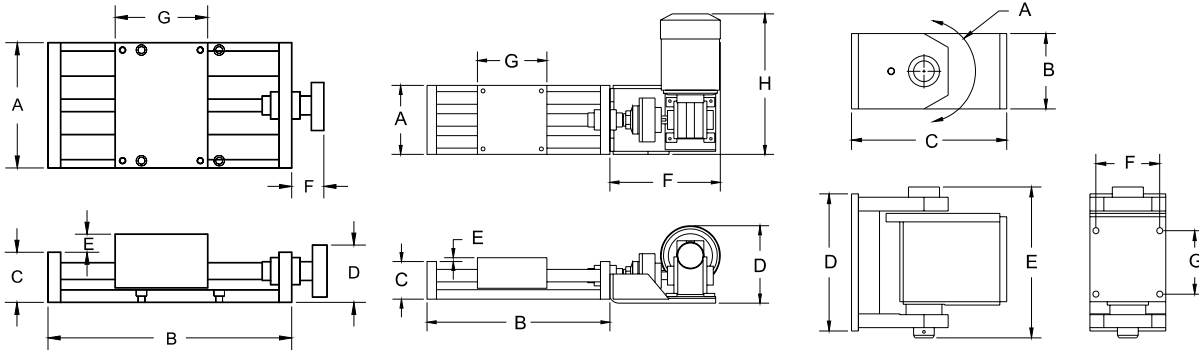
### PRICE LIST

For Bulletin No. : DW6570-SL593  
Effective Date : July 1, 2000  
Page Number : E-1

# PANDJIRIS, INC

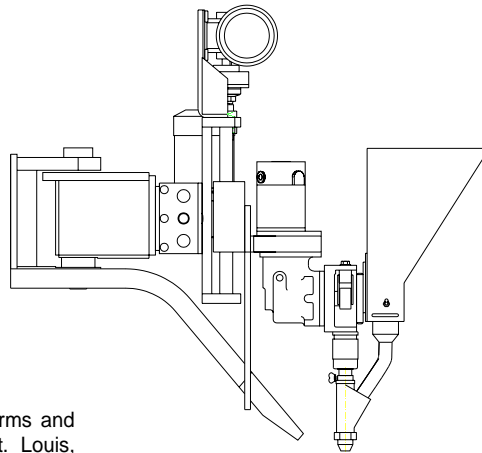
5151 Northrup • St. Louis, MO 63110 • (314) 776-6893

## PRECISION SLIDES AND SWIVELS DIMENSIONS



MODEL	LOAD CAPACITY	SHIP WEIGHT LBS	A	B	C	D	E	F	G	H
21-M/61-M	200 LBS @ 6"	18/34	5.5	8-1/2 Plus Stroke	3	4	0.3125	3.5	5.5	-
21 & 61-P	200 LBS @ 6"	22/38	5.5	8-1/2 Plus Stroke	3	6.25	0.3125	8.88	5.5	10.19
615-M	500 LBS @ 12"	164	10	13-9/16 Plus Stroke	3.5	4.5	1.06	3.5	10	-
615-P	500 LBS @ 12"	184	10	13-9/16 Plus Stroke	3.5	6.19	1.06	8.88	10	12.44
SW-180	-	60	180°	5-1/2	11.25	10	10.5	4.625	4.625	-

### TYPICAL WELD HEAD MOUNTING



**Terms:** Pandjiris, Inc. standard terms and conditions apply, f.o.b. Factory, St. Louis, Missouri, or designated ship point.  
**Delivery:** Consult Factory

#### PRICE LIST

For Bulletin No. : DW6570-SL593  
Effective Date : July 1, 2000  
Page Number : E-2