

PANDJIRIS, INC

5151 Northrup • St. Louis, MO 63110 • (314) 776-6893

SERIES 1100 MANIPULATOR

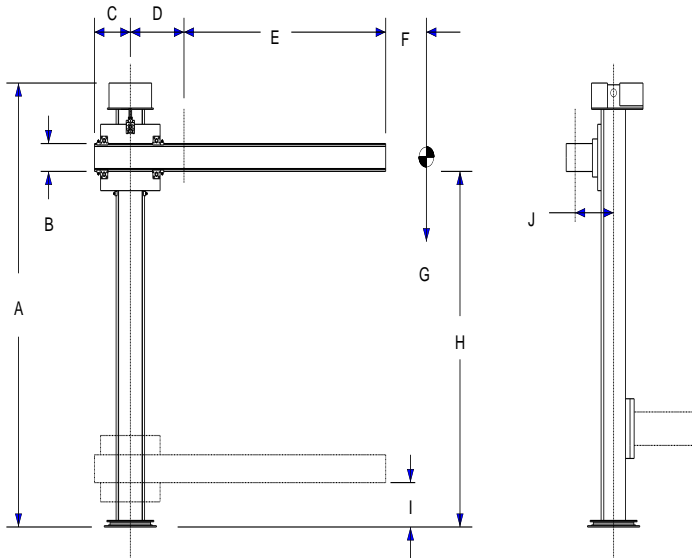
The **Series "1100" Manipulator**, size 11 x 11, is mounted on a bolt-down base. It has an 11' nominal arc height and an 11' horizontal boom stroke at a variable speed of 3" to 116" per minute. This is electronically controlled with dynamic braking beginning 19-1/4" from the centerline of the column and 360-degree manual column rotation. The standard electricals are 230/460 volts, 3 phase, 60 cycle with 115 control. Wired to conform to National Electrical Code Standards.

Vertical Boom Travel16-7/8" Minimum, 11' 9-7/8" Maximum, Floor to Bottom of Boom.
 Hoist Speed.....48 IPM Constant Speed
 Hoist Motor.....¾ H.P. AC Brakemotor

Horizontal Boom Stroke11' Stroke beginning 19-¼" From Center of Column
 Horizontal Boom Speed3 to 116 IPM Variable Speed
 Horizontal Boom Motor.....½ H.P. DC Motor

Anti-Fall Device Spring loaded; self-energizing pawl mounted on the crosshead engages column face.
 Column Rotation Manual 360-degree rotation with a manually operated screw friction lock.
 Bolt Down Base..... Size 24" x 24", with (8) 11/16" Drilled holes on 22-¼" bolt center.
 Control Pendant control equipped with joystick for Boom "Up-Down-In-Out".
 Boom Speed Potentiometer and a Weld-Rapid Selector Switch. Pendant Controls operate on 115 volts on 25' of rubber covered cable.
 Electrical Operates on 230/460 input power. Specify voltage when ordering. All wiring is to National Electrical Code Standards. Draws 7.6 amps @ 230 VAC.

The following price is for the basic manipulator, including all motors and controls, wired and ready to operate. Price does not include any welding heads, welding controls power source, flux recovery systems, or interconnecting cables, nor does it include the mounting or wiring of these items.



A	Overall Height	15' 3-5/8"
B	Boom Track Blade	11-3/8"
C	Min. Rear Clearance	19-1/4"
D	Boom Retract	19-1/4"
E	Boom Stroke	11'
F	C.G. Distance	18"
G	Max. Load End/Total	500/1000
H	Max. Boom Height	11' 9-7/8"
I	Min. Boom Height	16-7/8"
J	Boom Centerline Offset	13"

Terms: Pandjiris, Inc. standard terms and conditions apply, f.o.b. Factory, St. Louis, Missouri, or designated ship point.

Delivery: Consult Factory

Shipping weight, 1,200 lbs.

PRICE LIST

Effective Date : January 2014
 Page Number : D-7

PANDJIRIS, INC

5151 Northrup • St. Louis, MO 63110 • (314) 776-6893

SERIES 1100 MANIPULATOR Options and Accessories

For column or boom addition, add per foot
For column or boom deletion N/C

For Power Cable Track for Column and Boom (For sizes other than 11x11, Consult Factory)

For free standing base
For Free Standing "X" Base

Preset digital tachometer in manipulator joystick hand pendant, reads in IPM or CmPM, for boom

For variable speed hoist, 2 to 46 IPM

For "Step-Over" control, allows indexing of boom movement for overlay operations etc.

For flashing red light at column top and boom end with audible alarm

For special voltages, add Consult Factory

Power rotation of column for special applications, variable speed at .004 to .12 RPM

For support platform bolted to column for welding power source:
Standard 40x42 for single head mounting
Oversized 44x60 for multiple head mounting

For turntable to support wire drum or reel payoff (requires platform listed above)

For gas bottle holder bracket, supports two bottles

For 1-1/2 H.P. Flux recovery unit - installed (including hose), add Consult Factory

For 3 H.P. Flux recovery unit - installed (including hose), add Consult Factory

For 5 H.P. Flux recovery unit - installed (including hose), add Consult Factory

For 7-1/2 H.P. Flux recovery unit - installed (including hose), add Consult Factory

WELD EQUIPMENT MOUNTING CHARGES

Pandjiris will mount and integrate welding head and control packages on the above manipulator. The configuration of the mounting will typically include installation of the wire drive, torch wire reel, flux hopper, wire drive control, and connection of all cables and hoses between the power source and wire feed control required for proper operation. Other accessories such as AVCs, slides, swivels etc. can also be mounted for an extra charge.

To Mount a Single Wire SUB-ARC package
To Mount a Twin Wire SUB-ARC package
To Mount a Tandem SUB-ARC package
To Mount a MIG package
To Mount a Cold Wire TIG package
To Mount a Fusion TIG package
To Mount an AVC with the above TIG packages

To Mount a dual axis seam tracker

To Mount wire reel at aft end of boom with insulated wire guide conduit running the length of the boom, add per foot of boom stroke

Terms: Pandjiris, Inc. standard terms and conditions apply,
f.o.b. Factory, St. Louis, Missouri, or designated ship point.

Delivery: Consult Factory

PRICE LIST

Effective Date : January 2014
Page Number : D-8