

# PANDJIRIS, INC

5151 Northrup • St. Louis, MO 63110 • (314) 776-6893

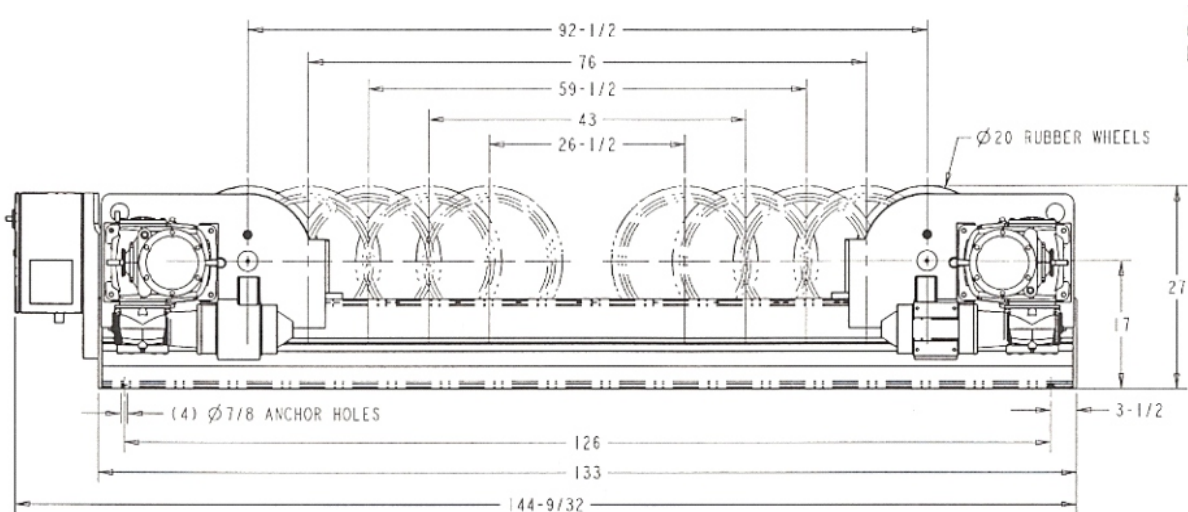
## MODEL PR-60/30-CC TURNING ROLL

The **Model PR-60/30-CC Constant Center Turning Roll** has a capacity of 30 tons turning and 15 tons support. It features Pandjiris' exclusive torque-tube wheel design sealed bearings, alloy shafts, and totally enclosed fan cooled (TEFC) motors with electronic drives. It comes with field changeable plug-in hand pendants including "Forward-Stop-Reverse-Weld/Rapid" buttons and a speed adjustment potentiometer on 25' of cable. All "PR" models have electronic variable speed controls infinitely variable between a specified range. The Rolls operate on 460 volt, three phase, 60 cycle input power, (230V available upon request). When ordering specify 230 or 460 volts. All wiring conforms to National Electrical Code Standards.

Turning Capacity ..... 60,000 lbs.  
 Tractive Effort ..... 2,771 lbs  
 Load Capacity ..... 30,000 lbs.  
 Pipe Diameter Range ..... 12" thru 250"  
 Wheel Diameter ..... 20"  
 Combined Wheel Face ..... 10"

The **Model IR-30-CC Idler Roll** has 15 tons support capacity.

Weight Capacity of IR-30-CC ..... 30,000 lbs  
 Weight Capacity of (1) PR-60-CC with (1) IR-30-CC ..... 60,000 lbs



**Terms:** Pandjiris, Inc. standard terms and conditions apply, f.o.b. Factory, St. Louis, Missouri, or designated ship point.

**Delivery:** Consult Factory  
 Approximate shipping weight:  
 PR-60-CC 3,000 lbs.  
 IR-30-CC 1,400 lbs.

PRICE LIST	
For Bulletin No.	: PW-1274
Effective Date	: January 2014
Page Number	:

**PANDJIRIS, INC**

5151 Northrup • St. Louis, MO 63110 • (314) 776-6893

**PR SERIES TURNING ROLLS  
Optional Accessories**

- For steel wheels in place of rubber wheels, ..... Consult Factory
  
- For foot switch with compatible plug for Forward/Stop/Reverse  
(speed potentiometer on hand pendant), Add ..... \$
  
- For foot switch, Fast-Slow with compatible plug, Add ..... \$
  
- For preset digital tachometer with compatible plug reads  
speed in IPM or CmPM, Add ..... \$
  
- For 25' Extension Cable with compatible plugs for standard  
pendants and accessories, Add ..... \$
  
- For special voltages, PR-30/10 thru PR-100/34, Add ..... \$ Consult Factory
  
- For special voltages, PR-180/60 thru PR-270/90, Add ..... \$ Consult Factory
  
- For special voltages, PR-400/200 thru PR-480/120, Add ..... \$ Consult Factory

<b>PRICE LIST</b>
For Bulletin No. : PW-1274-A
Effective Date : January 2014
Page Number :