

# PANDJIRIS, INC

5151 Northrup • St. Louis, MO 63110 • (314) 776-6893

## PIPER 3 TURNING ROLL

The **Model Piper 3 Power Roll** has a capacity of 6,000 lbs. turning and 2,000 lbs. weight capacity. An electronic variable speed drive allows a welding speed of 2 to 60.0 IPM with a field changeable plug-in hand pendant. This includes "Forward-Stop-Reverse-Weld/Rapid" buttons and a speed adjustment potentiometer on 25' of cable to handle workpieces from 3-1/2" to 40" diameter. The standard electricals are 115 volts, single phase, 60 cycle, draws 6 amps. Wired to conform to the National Electrical Code Standards.

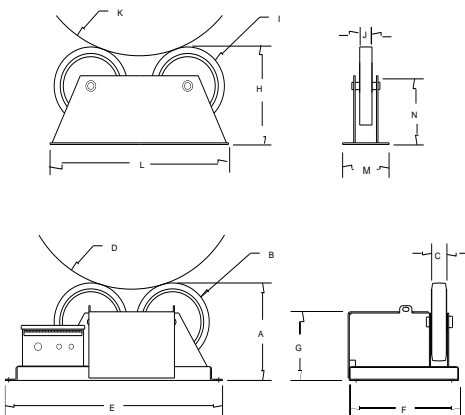
Turning Capacity ..... 6,000 lbs.  
 Tractive Effort ..... 277 lbs.  
 Load Capacity ..... 2,000 lbs.  
 Pipe Diameter Range ..... 3-1/2" thru 40"  
 Speed Range ..... 2 to 60.0 IPM  
 Motor Horse Power Rating ..... 1/4 HP  
 Wheel Diameter ..... 12"  
 Combined Wheel Face ..... 2-1/2"

The **Piper 3 Idler Roll** has 2,000 lbs. support capacity.

Weight Capacity of Piper 3 Idler Roll .....2,000 lbs  
 Weight Capacity of (1) Piper 3 Power Roll with (1) Piper 3 Idler Roll .....4,000 lbs  
 Weight Capacity of (1) Piper 3 Power Roll with (2) Piper 3 Idler Roll .....6,000 lbs

POWER ROLL		
A	Wheel Height	15"
B	Wheel Diameter	12"
C	Wheel Face	2-1/2"
D	Pipe Diameter Range	3-1/2" - 40"
E	Frame Length	35-5/8"
F	Frame Width	18-1/16"
G	Frame Height	10-9/16"

IDLER ROLL		
H	Wheel Height	15"
I	Wheel Diameter	12"
J	Wheel Face	2-1/2"
K	Pipe Diameter Range	3-1/2" - 40"
L	Frame Length	27-3/4"
M	Frame Width	6"
N	Frame Height	15"



**Terms:** Pandjiris, Inc. standard terms and conditions apply, f.o.b. Factory, St. Louis, Missouri, or designated ship point.

**Delivery:** Consult Factory  
 Approximate shipping weight:  
 Power Roll 230 lbs.  
 Idler Roll 100 lbs.

PRICE LIST	
For Bulletin No.	: 51566-A/493
Effective Date	: January 2014
Page Number	: C-3

**PANDJIRIS, INC**

5151 Northrup • St. Louis, MO 63110 • (314) 776-6893

**PIPER 3 TURNING ROLL  
Optional Accessories**

For foot switch with compatible plug for Forward/Stop/Reverse (speed potentiometer on hand pendant)

For foot switch, Fast-Slow with compatible plug

For preset digital tachometer with compatible plug reads speed in IPM or CmPM

Hold-down for 3-1/2" to 36" diameters

For less than 3-1/2" dia. workpiece, SD-3P adapter to power unit

For less than 3-1/2" dia. workpiece, SD-3I adapter to idler

For less than 3-1/2" dia. workpiece, SD-3P-HD adapter to power unit with hold-down

For 25' Extension Cable with compatible plugs for standard pendants and accessories

For special voltages, add ..... Consult Factory

**PRICE LIST**

For Bulletin No. : 51566-A/493

Effective Date : January 2014

Number : C-4