

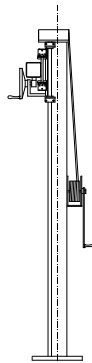
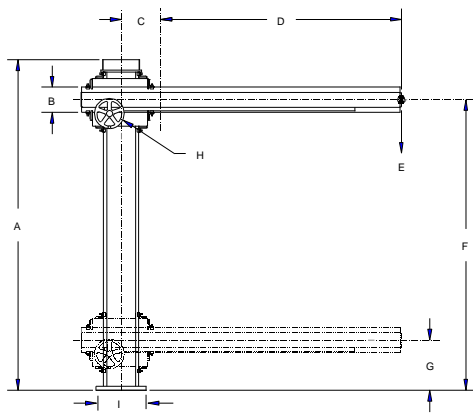
PANDJIRIS, INC.

5151 Northrup St. Louis, MO 63110 (314) 776-6893

**MANUALLY OPERATED
MANIPULATORS**

Pandjiris offers two sizes of the Manually Operated Manipulator, 4x4 and 6x6. The Manual Manipulator is a basic weld torch positioning system designed to provide fixed torch placement capability for small weld positioning applications. The manipulators use all steel construction to provide stable platforms capable of supporting most weld head mountings. The vertical columns use a fixed base rigid 5"x3" steel tube and 3/4"x7" track blade to support the boom and crosshead. Vertical travel is delivered through a manually operated cable hoist. A spring-loaded anti-fall safety device couples the crosshead to the hoist cable. This configuration ensures the boom will not drop in the event of cable failure. The boom is a 3" x3" steel tube with a 1/2"x5" track blade. The boom uses a push/pull operation riding in a series of guide rollers and equipped with a manual lock to secure its position.

* Options for a powered hoist, hand wheel crank for horizontal boom movement, basic push cart, and rotation base for the column are offered separately.



Manual Manipulators		Model 4x4	Model 6x6
A	Overall Height	66"	90"
B	Boom Track Blade	5"	5"
C	Min. Boom Retract	8"	8"
D	Boom Stroke	48"	72"
E	Max. Load End/Total	200/300	150/300
F	Max. Boom Height	58"	82"
G	Min. Boom Height	10"	10"
H	Hand Wheel for Boom Motion - Optional		
I	Base Plate 12"x12"x3/4" with, (4) 11/16" thru holes on 10" Centered Bolt Pattern		

Terms: Pandjiris, Inc. Standard terms and conditions apply. f.o.b. Factory, St. Louis, Missouri, or designated ship point

Delivery: Consult Factory

Shipping weight 4x4 - 350 lbs.
6x6 - 435 lbs.

PRICE LIST

For Bulletin No. : MAN.
Effective Date : January 2014
Page No. : D3

PANDJIRIS, INC.

5151 Northrup St. Louis, MO 63110 (314) 776-6893

MANUAL MANIPULATOR OPTIONS

Rotation Base with Screw Lock

Hand Wheel Rack & Pinion Boom Movement

Powered Rack & Pinion Boom Movement, Variable Speed, 3 to 60 IPM

Powered Hoist, Constant Speed, with Up/Down options on Column, 115 Volt, Single Phase, 60 Cycle

30" x 30" Push Car with "V" Casters

For Model VT Track, add per 10' Section

48" x 49" Push Car with "V" Casters

For Model VT Track, add per 10' Section

For Free Standing Base, add

For mounting of welding equipment, consult factory with application

For slide and other torch positioning accessories, see page E-1

Terms: Pandjiris, Inc. Standard terms and conditions apply. f.o.b. Factory, St. Louis, Missouri, or designated ship point

Delivery: Consult Factory

PRICE LIST

For Bulletin No.: MAN.

Effective Date : January 2014

Page No. : D4