

PANDJIRIS, INC

5151 Northrup • St. Louis, MO 63110 • (314) 776-6893

MODEL PR-270/90 TURNING ROLL

The **Model PR-270/90 Turning Roll** has a capacity of 135 tons turning and 45 tons support. It features Pandjiris' exclusive torque-tube wheel design sealed bearings, alloy shafts, and totally enclosed fan cooled (TEFC) motors with electronic drives. It comes with field changeable plug-in hand pendants including "Forward-Stop-Reverse-Weld/Rapid" buttons and a speed adjustment potentiometer on 25' of cable. All "PR" models have electronic variable speed controls infinitely variable between a specified range. The Rolls operate on 460 volt, three phase, 60 cycle input power, (230V available upon request). All wiring conforms to National Electrical Code Standards.

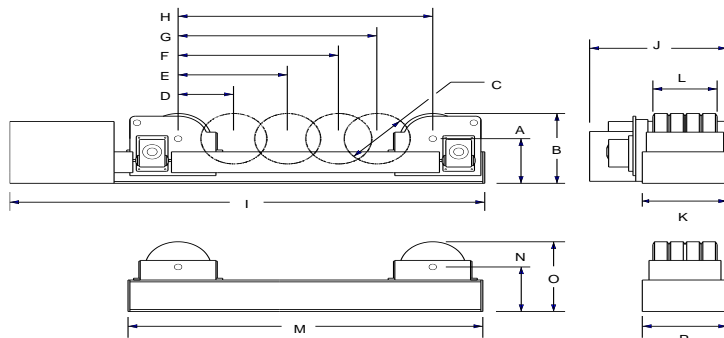
Turning Capacity	270,000 lbs.
Tractive Effort	12,471 lbs
Load Capacity	90,000 lbs.
Pipe Diameter Range	12" thru 21'
Speed Range	2 to 48 ipm
Motor Horse Power Rating	5 HP
Wheel Diameter	20"
Combined Wheel Face	20"

The **Model IR-90 Idler Roll** has 45 tons support capacity.

Weight Capacity of IR-90.....	90,000 lbs
Weight Capacity of (1) PR-270 with (1) IR-90	180,000 lbs
Weight Capacity of (1) PR-270 with (2) IR-90	270,000 lbs

A	Axle Height	17"
B	Wheel Height	27"
C	Wheel Diameter	20"
D	Spacing for Cylinder ϕ 12" - 57"	26-1/2"
E	Spacing for Cylinder ϕ 36" - 106"	43"
F	Spacing for Cylinder ϕ 60" - 153"	59-1/2"
G	Spacing for Cylinder ϕ 90" - 202"	76"
H	Spacing for Cylinder ϕ 160" - 250"	92-1/2"

I	Overall Length Power Roll	155-5/8"
J	Overall Width Power Roll	49-3/4"
K	Frame Width Power Roll	32"
L	Combined Wheel Face	20"
M	Overall Length Idler Roll	118"
N	Axle Height	17"
O	Wheel Height	27"
P	Frame Width Idler Roll	32"



Terms: Pandjiris, Inc. standard terms and conditions apply, f.o.b. Factory, St. Louis, Missouri, or designated ship point.

Delivery: Consult Factory
Approximate shipping weight:

PR-270	4,300 lbs.
IR-90	2,400 lbs.

PRICE LIST

For Bulletin No. : PW-1274-A
Effective Date : January 2014
: C-27

PANDJIRIS, INC

5151 Northrup • St. Louis, MO 63110 • (314) 776-6893

**PR SERIES TURNING ROLLS
Optional Accessories**

For steel wheels in place of rubber wheels, Consult Factory

For foot switch with compatible plug for Forward/Stop/Reverse (speed potentiometer on hand pendant)

For foot switch, Fast-Slow with compatible plug

For preset digital tachometer with compatible plug reads speed in IPM or CmPM

For 25' Extension Cable with compatible plugs for standard pendants and accessories

For special voltages Consult Factory

PRICE LIST

For Bulletin No. : PW-1274-A
Effective Date : January 2014
Page Number : C-28