

PANDJIRIS, INC

5151 Northrup • St. Louis, MO 63110 • (314) 776-6893

MODEL PR-50/17 TURNING ROLL

The **Model PR-50/17 Turning Roll** has a capacity of 25 tons turning and 8.5 tons support. It features Pandjiris' exclusive torque-tube wheel design sealed bearings, alloy shafts, and totally enclosed fan cooled (TEFC) motors with electronic drives. It comes with field changeable plug-in hand pendants including "Forward-Stop-Reverse-Weld/Rapid" buttons and a speed adjustment potentiometer on 25' of cable. All "PR" models have electronic variable speed controls infinitely variable between a specified range. **The Rolls operate on 460 volt, three phase, 60 cycle input power, (230V available upon request).** All wiring conforms to National Electrical Code Standards.

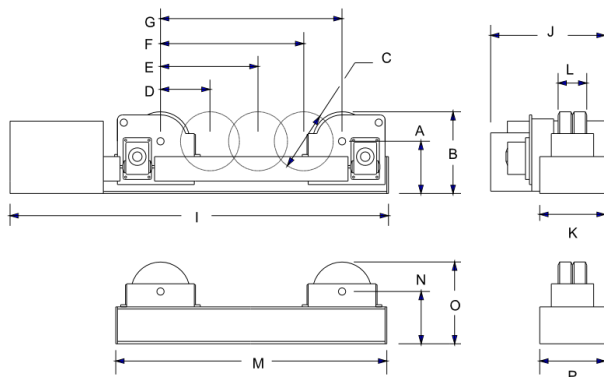
Turning Capacity 50,000 lbs.
 Tractive Effort 2,310 lbs.
 Load Capacity..... 17,000 lbs.
 Pipe Diameter Range 6" thru 15"
 Speed Range 2.1 to 63 IPM
 Motor Horse Power Rating..... 1.5 HP
 Wheel Diameter..... 16"
 Combined Wheel Face 8"

The **Model IR-17 Idler Roll** has 8.5 tons support capacity.

Weight Capacity of IR-17..... 17,000 lbs
 Weight Capacity of (1) PR-50 with (1) IR-17..... 34,000 lbs
 Weight Capacity of (1) PR-50 with (2) IR-17..... 50,000 lbs

A	Axle Height	11-3/8"
B	Wheel Height	19-3/8"
C	Wheel Diameter	16"
D	Spacing for Cylinder ϕ 6" - 41"	19-1/2"
E	Spacing for Cylinder ϕ 30" - 87"	35"
F	Spacing for Cylinder ϕ 50" - 132"	50-1/2"
G	Spacing for Cylinder ϕ 100" - 15'	66"
I	Overall Length of Power Roll	113-1/2"

J	Overall Width Power Roll	26"
K	Frame Width Power Roll	20"
L	Combined Wheel Face	8"
M	Overall Length Idler Roll	90"
N	Axle Height	11-3/8"
O	Wheel Height	19-3/8"
P	Frame Width Idler Roll	25"



Terms: Pandjiris, Inc. standard terms and conditions apply, f.o.b. Factory, St. Louis, Missouri, or designated ship point.

Delivery: Consult Factory
 Approximate shipping weight:
 PR-50 1,150 lbs.
 IR-17 550 lbs.

PRICE LIST	
For Bulletin No.	: PW-1274
Effective Date	: January 2014
Page Number	: C-21

PANDJIRIS, INC

5151 Northrup • St. Louis, MO 63110 • (314) 776-6893

**PR SERIES TURNING ROLLS
Optional Accessories**

For steel wheels in place of rubber wheels, Consult Factory

For foot switch with compatible plug for Forward/Stop/Reverse (speed potentiometer on hand pendant)

For foot switch, Fast-Slow with compatible plug

For preset digital tachometer with compatible plug reads speed in IPM or CmPM

For 25' Extension Cable with compatible plugs for standard pendants and accessories

For special voltages, PR-30/10 thru PR-100/34, Add..... Consult Factory

For special voltages, PR-180/60 thru PR-270/90, Add..... Consult Factory

For special voltages, PR-400/200 thru PR-480/120, Add..... Consult Factory