

# PANDJIRIS, INC

5151 Northrup • St. Louis, MO 63110 • (314) 776-6893

## MM-60/30-T TURNING ROLL

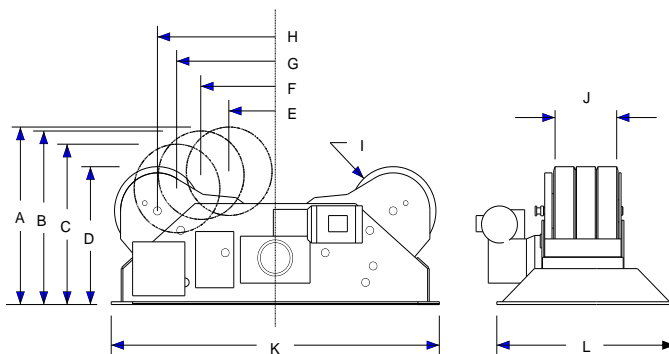
The **MM-60/30-T Power Roll** has a capacity of 60 tons turning and 30 tons support with a speed range of 2.0 to 61.4 IPM. It provides a constant centerline of operation while requiring less floor space than other rolls their size, and are easily changeable for varying size tank diameters. A unique and exclusive drive roll connection is positively driven by spur gears for a firm power flow. All "MM" rolls have electronic variable speed controls infinitely variable between a specified range. They also all come with a field changeable plug-in hand pendant, including "Forward-Stop-Reverse-Weld/Rapid" buttons and a speed potentiometer on 25' of cable. The Rolls operate on 460 volt, three phase, 60 cycle input power, (230V available upon request). When ordering specify 230 or 460 volts. All wiring conforms to National Electrical Code Standards.

Turning Capacity ..... 120,000 lbs.  
 Tractive Effort ..... 5,543 lbs.  
 Load Capacity ..... 60,000 lbs.  
 Pipe Diameter Range ..... 12" thru 16'  
 Speed Range ..... 2.0 to 61.4 IPM  
 Motor Horse Power Rating ..... 3 HP  
 Wheel Diameter ..... 20"  
 Combined Wheel Face ..... 15"

The **MI-30-T Idler Roll** has 30 tons support capacity each.

Weight Capacity of (1) MM-60 and (1) MI-30-T ..... 60 tons

|   |                                   |        |   |                                    |           |
|---|-----------------------------------|--------|---|------------------------------------|-----------|
| A | Wheel Height                      | 40.12" | G | Spacing for Cylinder i 100" - 156" | 30.00"    |
| B | Wheel Height                      | 42.16" | H | Spacing for Cylinder i 122" - 192" | 35.63"    |
| C | Wheel Height                      | 39.74" | I | Wheel Diameter                     | 20"       |
| D | Wheel Height                      | 33.79" | J | Wheel Face                         | 15"       |
| E | Spacing for Cylinder i 12" - 62"  | 13.75" | K | Frame Length - Power or Idler      | 94"       |
| F | Spacing for Cylinder i 60" - 102" | 20.87" | L | Frame Width - Power/Idler          | 42" / 38" |



**Terms:** Pandjiris, Inc. standard terms and conditions apply, f.o.b. Factory, St. Louis, Missouri, or designated ship point.

**Delivery:** Consult Factory

Approximate shipping weight:  
 MM-60 3,500 lbs.  
 MI-30-T 1,900 lbs.

### PRICE LIST

For Bulletin No. : 15367-A  
 Effective Date : January 2014  
 Page Number : C-15

# PANDJIRIS, INC

5151 Northrup • St. Louis, MO 63110 • (314) 776-6893

## MISSOURI MULE TURNING ROLL Optional Accessories

**NOTE:** For steel wheels in place of rubber tires on all rolls listed..... Consult Factory

For foot switch with compatible plug for Forward/Stop/Reverse  
(speed potentiometer on hand pendant)

For foot switch, Fast-Slow with compatible plug, Add

For preset digital tachometer with compatible plug reads speed in IPM or CmPM

For 25' Extension Cable with compatible plugs for standard pendants and accessories

For Riser for Power Roll to Match Height of Idler Roll on Caster

For V-groove, Spring Loaded Casters for Power Roll

For V-groove, Spring Loaded casters for Idler Roll

For Model VT Track, add per 10' section

For special voltages on MM-15/5T & MM-30/15T

For special voltages on MM-60/30T

For special voltages on MM-90/45T

### PRICE LIST

For Bulletin No. : 15367-A  
Effective Date : January 2014  
Page Number : C-16