

PANDJIRIS, INC

5151 Northrup • St. Louis, MO 63110 • (314) 776-6893

Universal and Longitudinal Planishers

Planishers are designed to quickly finish weld joints, having reinforcement, which would otherwise require grinding or some other finishing process. The planisher uses a set of fixed precision rolls which are placed above and below the weld joint and compressed together using an air-over-oil hydraulic system. The top roll is attached to a drive motor which will move the part at a consistent and controlled rate of speed. The lower drive roll is supported by a cantilevered support mandrel. As the weld joint passes between the fixed rolls, the preset force will compress the weld reinforcement material flush with the base material. The drive rolls are available to suit most any application.

Pandjiris offers two styles of planishers. The Longitudinal Planisher is designed to finish longitudinal seams only. The Universal Planisher is capable of both longitudinal and circumferential finishing of welds. The Universal Planisher has an exclusive roll support design which pivots the upper roll in a precise orientation to the lower roller. The pivot is fully supported and precision machined to allow 0- and 90-degree orientations.

MODEL 6.5T-8-40-48 PLANISHER (Universal or Longitudinal)	MODEL 10T-9.25-40-48 PLANISHER (Universal or Longitudinal)
Planishing force ----- 2,000 to 13,000 lbs.	Planishing Force ----- 2,000 to 20,000 lbs.
Material thickness ----- .005 to 3/16 Mild Steel .005 to 3/16 Aluminum .005" to 1/8"Stainless	Material thickness ----- .005 to 1/4 Mild Steel .005 to 1/4 Aluminum .005" to 3/16" Stainless
Inside diameter range ---- 8" to 40"	Inside diameter range ---- 9-1/4" to 40"
Planishing length ----- maximum 48"	Planishing length ----- maximum 48"
Speed ----- 120 IPM constant 5-120 variable (Optional)	Speed ----- 120 IPM constant 5-120 variable (Optional)
Working height ----- 51-1/2"	Working height ----- 51-1/2"
Upper roll diameter ----- 7-1/2"	Upper roll diameter ----- 6"
Lower roll diameter ----- 4-1/2"	Lower roll diameter ----- 4"
Air supply ----- 90 psi	Air supply ----- 90 psi
Electrics ----- 230/460V, 3 phase, 60 cycle	Electrics ----- 230/460V, 3 phase, 60 cycle
Approximate shipping weight ----- 6,000 pounds	Approximate shipping Weight ----- 6,400 pounds

MODEL 6.5T-8-40-48 LONGITUDINAL PLANISHER

MODEL 10T-9.25-40-48 LONGITUDINAL PLANISHER

MODEL 6.5T-8-40-48 UNIVERSAL PLANISHER

MODEL 10T-9.24-40-48 UNIVERSAL PLANISHER

Terms: Pandjiris, Inc. standard terms and conditions apply f.o.b. Factory, St. Louis, Missouri or designated ship point.

Delivery: Consult Factory

Price List
Eff. Date : March 2019

PANDJIRIS, INC

5151 Northrup • St. Louis, MO 63110 • (314) 776-6893

PLANISHER OPTIONAL ACCESSORIES AND MACHINE DIMENSIONS

Variable speed drive, all models

Extra set of rolls, (specify face contour)

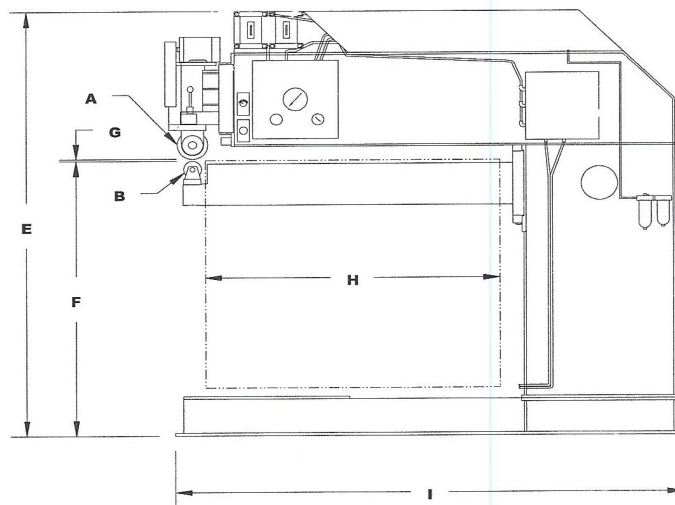
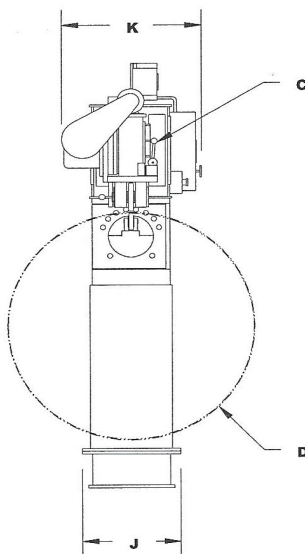
Special length mandrels..... Consult Factory

Cart and mandrels for small diameter work pieces..... Consult Factory

Special work support aides Consult Factory

Sink corner planisher mandrels/wheels..... Consult Factory

	UNIVERSAL PLANISHERS		LONGITUDINAL PLANISHERS	
	6.5T-8-40-48	10T-9.25-40-48	6.5T-8-40-48	10T-9.25-40-48
A	7-1/2"	6"	7-1/2"	6"
B	4-1/2"	4"	4-1/2"	4"
C	Swivel Handle to Rotate Upper Wheel 90 degrees		N/A	N/A
D	8" - 40"	9.25" - 40"	8" - 40"	9.25" - 40"
E	86-1/2"	95"	86-1/2"	95"
F	51-1/2"	51-1/2"	51-1/2"	51-1.2"
G	1/2"	1/2"	1/2"	1/2"
H	48"	48"	48"	48"
I	97-1/2"	97-1/2"	97-1/2"	97-1/2"
J	21"	21"	21"	21"
K	26"	26"	26"	26"



Terms: Pandjiris, Inc. standard terms and conditions apply f.o.b. Factory, St. Louis, Missouri or designated ship point.

Delivery: Consult Factory

Price List
Eff. Date : March 2019