

PANDJIRIS, INC

5151 Northrup • St. Louis, MO 63110 • (314) 776-6893

MODEL PR-100/34 TURNING ROLL

The **Model PR-100/34 Turning Roll** has a capacity of 50 tons turning and 17 tons support. It features Pandjiris' exclusive torque-tube wheel design sealed bearings, alloy shafts, and totally enclosed fan cooled (TEFC) motors with electronic drives. It comes with field changeable plug-in hand pendants including "Forward-Stop-Reverse-Weld/Rapid" buttons and a speed adjustment potentiometer on 25' of cable. All "PR" models have electronic variable speed controls infinitely variable between a specified range. The Rolls operate on 460 volt, three phase, 60 cycle input power, (230V available upon request). When ordering specify 230 or 460 volts. All wiring conforms to National Electrical Code Standards.

Turning Capacity 100,000 lbs.
 Tractive Effort 4,619 lbs.
 Load Capacity 34,000 lbs.
 Pipe Diameter Range 12" thru 21"
 Speed Range 2.8 to 66.2 ipm
 Motor Horse Power Rating 3.0 HP
 Wheel Diameter 20"
 Combined Wheel Face 10"

PRICE **\$ 19,685.00**

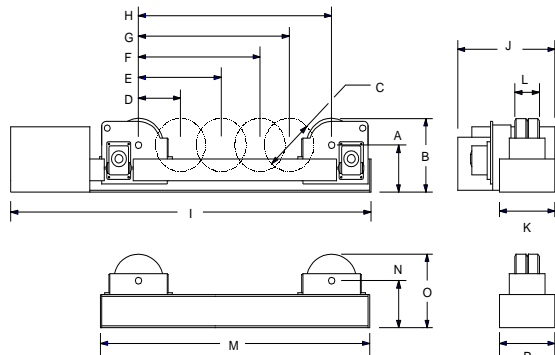
The **Model IR-34 Idler Roll** has 17 tons support capacity.

Weight Capacity of IR-34 34,000 lbs.
 Weight Capacity of (1) PR-100 with (1) IR-34 68,000 lbs.
 Weight Capacity of (1) PR-100 with (2) IR-34 100,000 lbs.

PRICE **\$ 6,290.00**

A	Axle Height	17"
B	Wheel Height	27"
C	Wheel Diameter	20"
D	Spacing for Cylinder Ø 12" - 57"	26-1/2"
E	Spacing for Cylinder Ø 36" - 106"	43"
F	Spacing for Cylinder Ø 60" - 153"	59-1/2"
G	Spacing for Cylinder Ø 90" - 202"	76"
H	Spacing for Cylinder Ø 160" - 250"	92-1/2"

I	Overall Length Power Roll	153-3/4"
J	Overall Width Power Roll	39-1/2"
K	Frame Width Power Roll	22"
L	Combined Wheel Face	10"
M	Overall Length Idler Roll	118"
N	Axle Height	17"
O	Wheel Height	27"
P	Frame Width Idler Roll	22"



Terms: Pandjiris, Inc. standard terms and conditions apply, f.o.b. Factory, St. Louis, Missouri, or designated ship point.

Delivery: Consult Factory
 Approximate shipping weight:
 PR-100 3,000 lbs.
 IR-34 1,400 lbs.

PRICE LIST	
For Bulletin No. :	PW-1274
Effective Date :	January 2014
Page Number :	C-23

PANDJIRIS, INC

5151 Northrup • St. Louis, MO 63110 • (314) 776-6893

**PR SERIES TURNING ROLLS
Optional Accessories**

For steel wheels in place of rubber tires on PR 100/34 Power Roll Consult Factory

For steel wheels in place of rubber tires on IR- 34 Idler Roll..... Consult Factory

For foot switch with compatible plug for Forward/Stop/Reverse (speed potentiometer on hand pendant)

For foot switch, Fast-Slow with compatible plug

For preset digital tachometer with compatible plug reads speed in IPM or CmPM

For 25' Extension Cable with compatible plugs for standard pendants and accessories

For special voltages, PR-30/10 thru PR-100/34 Consult Factory

For special voltages, PR-180/60 thru PR-270/90 Consult Factory

For special voltages, PR-400/200 thru PR-480/120 Consult Factory

PRICE LIST

For Bulletin No. : PW-1274-A
Effective Date : January 2014
Page Number : C-24