

# PANDJIRIS, INC

5151 Northrup • St. Louis, MO 63110 • (314) 776-6893

## MODEL PR-180/90-CC TURNING ROLL

The **Model PR-180/90-CC Constant Center Turning Roll** has a capacity of 90 tons turning and 45 tons support. It features Pandjiris' exclusive torque-tube wheel design sealed bearings, alloy shafts, and totally enclosed fan cooled (TEFC) motors with electronic drives. It comes with field changeable plug-in hand pendants including "Forward-Stop-Reverse-Weld/Rapid" buttons and a speed adjustment potentiometer on 25' of cable. All "PR" models have electronic variable speed controls infinitely variable between a specified range. The Rolls operate on 460 volt, three phase, 60 cycle input power, (230V available upon request). All wiring conforms to National Electrical Code Standards.

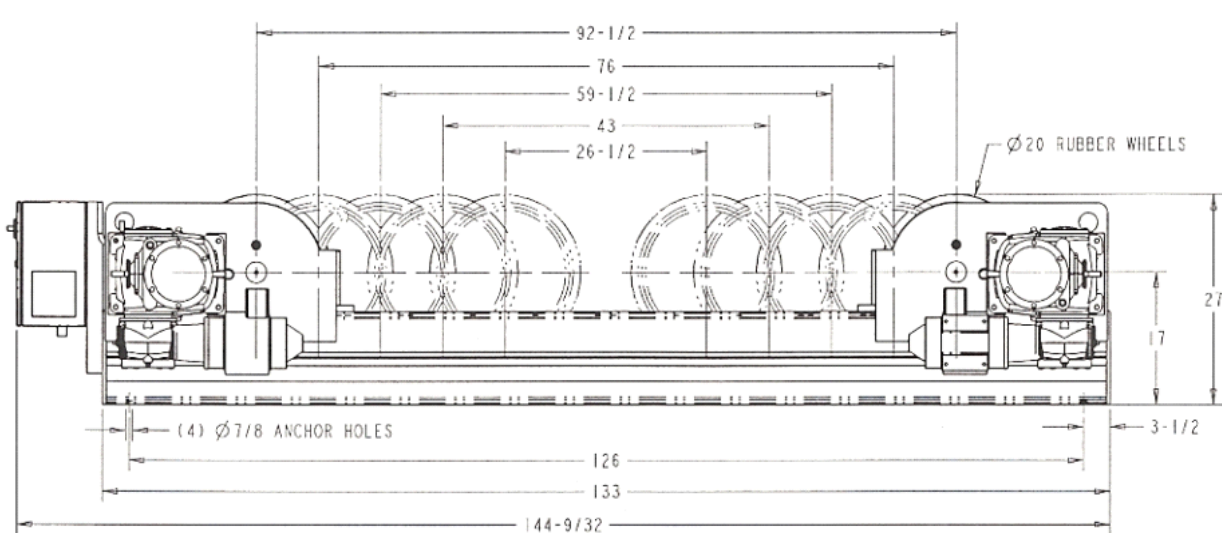
Turning Capacity .....	180,000 lbs.
Tractive Effort .....	8,314 lbs
Load Capacity .....	90,000 lbs.
Pipe Diameter Range .....	12" thru 250"
Speed Range .....	2.6 to 77.7 IPM
Wheel Diameter.....	20"
Combined Wheel Face.....	20"

### PRICE

The **Model IR-90-CC Idler Roll** has 45 tons support capacity.

Weight Capacity of IR-90-CC .....	90,000 lbs
Weight Capacity of (1) PR-180-CC with (1) IR-90-CC.....	180,000 lbs

### PRICE



**Terms:** Pandjiris, Inc. standard terms and conditions apply, f.o.b. Factory, St. Louis, Missouri, or designated ship point.

**Delivery:** Consult Factory  
 Approximate shipping weight:  
 PR-180-CC 4,300 lbs.  
 IR-90-CC 2,400 lbs.

<b>PRICE LIST</b>	
For Bulletin No. :	PW-1274-A
Effective Date :	Sep 2019
Page Number :	

# PANDJIRIS, INC

5151 Northrup • St. Louis, MO 63110 • (314) 776-6893

## PR SERIES TURNING ROLLS Optional Accessories

For steel wheels in place of rubber wheels, ..... Consult Factory

For foot switch with compatible plug for Forward/Stop/Reverse  
(speed potentiometer on hand pendant), Add.....

For foot switch, Fast-Slow with compatible plug, Add.....

For preset digital tachometer with compatible plug reads  
speed in IPM or CmPM, Add.....

For 25' Extension Cable with compatible plugs for standard  
pendants and accessories, Add .....

For special voltages ..... Consult Factory

### PRICE LIST

For Bulletin No. : PW-1274-A  
Effective Date : Sep 2019  
Page Number :