

PANDJIRIS, INC

5151 Northrup • St. Louis, MO 63110 • (314) 776-6893

MODEL PR-400/200 TURNING ROLL

The **Model PR-400/200 Turning Roll** has a capacity of 200 tons turning and 100 tons support. It features Pandjiris' exclusive torque-tube wheel design sealed bearings, alloy shafts, and totally enclosed fan cooled (TEFC) motors with electronic drives. All "PR" models have electronic variable speed controls infinitely variable between a specified range. It comes with field changeable plug-in hand pendants including "Forward-Stop-Reverse-Weld/Rapid" buttons and a speed adjustment potentiometer on 25' of cable. The Rolls operate on 460 volt, three phase, 60 cycle input power, (230V available upon request). When ordering specify 230 or 460 volts. All wiring conforms to National Electrical Code Standards.

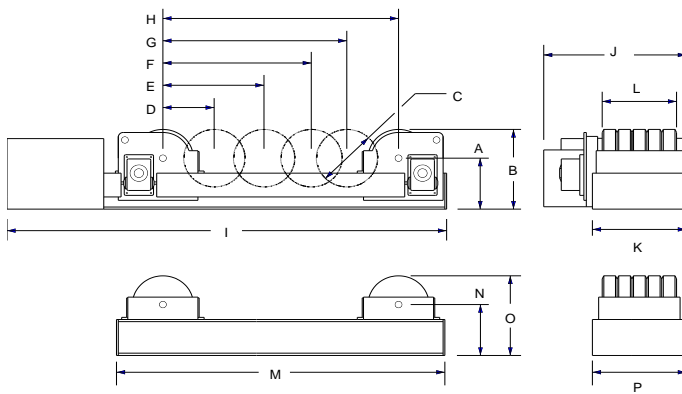
Turning Capacity 400,000 lbs.
 Tractive Effort 18,476 lbs.
 Load Capacity 200,000 lbs.
 Pipe Diameter Range 12" thru 21"
 Speed Range 5 to 40 IPM
 Motor Type AC Motor
 Wheel Diameter 20" (Rubber Wheels with Overload Disc)
 Combined Wheel Face 24"

The **Model IR-200 Idler Roll** has 100 tons support capacity.

Weight Capacity of IR-200 200,000 lbs.
 Weight Capacity of (1) PR-400 with (1) IR-200 400,000 lbs.

A	Axle Height	20-1/8"
B	Wheel Height	30-1/8"
C	Wheel Diameter	20"
D	Spacing for Cylinder ϕ 12" - 57"	26-1/2"
E	Spacing for Cylinder ϕ 36" - 106"	43"
F	Spacing for Cylinder ϕ 60" - 153"	59-1/2"
G	Spacing for Cylinder ϕ 90" - 202"	76"
H	Spacing for Cylinder ϕ 160" - 252"	92-1/2"

I	Overall Length Power Roll	170-1/2"
J	Overall Width Power Roll	55-1/2"
K	Frame Width Power Roll	36"
L	Combined Wheel Face	24"
M	Overall Length Idler Roll	125-1/4"
N	Axle Height	20-1/8"
O	Wheel Height	30-1/8"
P	Frame Width Idler Roll	36"



Terms: Pandjiris, Inc. standard terms and conditions apply, f.o.b. Factory, St. Louis, Missouri, or designated ship point.

Delivery: Consult Factory
 Approximate shipping weight:
 PR-400 7,200 lbs.
 IR-200 4,200 lbs.

PRICE LIST	
For Bulletin No. :	N/A
Effective Date :	January 2014
Page :	C-29

PANDJIRIS, INC

5151 Northrup • St. Louis, MO 63110 • (314) 776-6893

PR SERIES TURNING ROLLS Optional Accessories

For steel wheels in place of rubber wheels, Consult Factory

For foot switch with compatible plug for Forward/Stop/Reverse (speed potentiometer on hand pendant)

For foot switch, Fast-Slow with compatible plug

For preset digital tachometer with compatible plug reads speed in IPM or CmPM

For 25' Extension Cable with compatible plugs for standard pendants and accessories

For special voltages, PR-400/200 thru PR-480/120, Add Consult Factory

PRICE LIST
For Bulletin No. : N/A
Effective Date : January 2014
Page : C-30