

# PANDJIRIS, INC

5151 Northrup • St. Louis, MO 63110 • (314) 776-6893

## MODEL PR-400/200-CC TURNING ROLL

The **Model PR-400/200-CC Turning Roll** has a capacity of 200 tons turning and 100 tons support. It features Pandjiris' exclusive torque-tube wheel design sealed bearings, alloy shafts, and totally enclosed fan cooled (TEFC) motors with electronic drives. The constant center design allows for increased productivity through reduced change over times. All "PR" models have electronic variable speed controls infinitely variable between a specified range. It comes with field changeable plug-in hand pendants including "Forward-Stop-Reverse-Weld/Rapid" buttons and a speed adjustment potentiometer on 25' of cable. The Rolls operate on 460 volt, three phase, 60 cycle input power, (230V available upon request). When ordering specify 230 or 460 volts. All wiring conforms to National Electrical Code Standards.

Turning Capacity ..... 400,000 lbs.  
 Tractive Effort ..... 18,47 lbs.  
 Load Capacity ..... 200,000 lbs.  
 Pipe Diameter Range ..... 16" thru 21"  
 Speed Range ..... 5 to 40 IPM  
 Motor Type ..... AC Motor  
 Wheel Diameter ..... 20" (Rubber Wheels with Overload Disc)  
 Combined Wheel Face ..... 23"

### PRICE

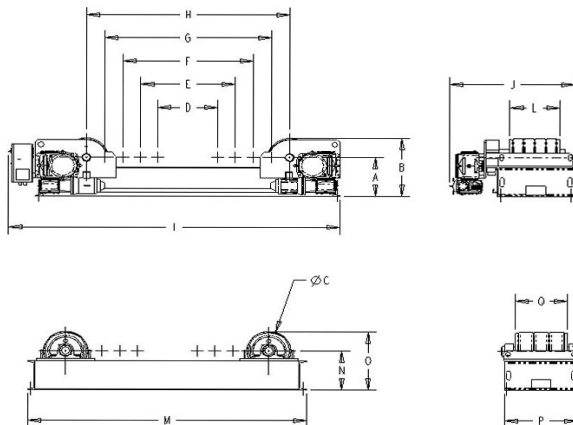
The **Model IR-200-CC Idler Roll** has 100 tons support capacity.

Weight Capacity of IR-200 -CC..... 200,000 lbs.  
 Weight Capacity of (1) PR-400-CC with (1) IR-200-CC..... 400,000 lbs.

### PRICE

A	Axle Height	20-1/8"
B	Wheel Height	30-1/8"
C	Wheel Diameter	20"
D	Spacing for Cylinder $\phi$ 16" - 57"	27-1/4"
E	Spacing for Cylinder $\phi$ 43" - 106"	43"
F	Spacing for Cylinder $\phi$ 68" - 153"	59-1/2"
G	Spacing for Cylinder $\phi$ 100" - 202"	76"
H	Spacing for Cylinder $\phi$ 160" - 252"	92-1/2"

I	Overall Length Power Roll	153"
J	Overall Width Power Roll	57-3/16"
K	Frame Width Power Roll	36"
L&Q	Combined Wheel Face	23"
M	Overall Length Idler Roll	127"
N	Axle Height	20-1/8"
O	Wheel Height	30-1/8"
P	Frame Width Idler Roll	33-1/2"



**Terms:** Pandjiris, Inc. standard terms and conditions apply, f.o.b. Factory, St. Louis, Missouri, or designated ship point.

**Delivery:** Consult Factory  
 Approximate shipping weight:  
 PR-400 7,200 lbs.  
 IR-200 4,200 lbs.

<b>PRICE LIST</b>	
For Bulletin No.	: N/A
Effective Date	: January, 2014
Page Number	: C-29

**PR SERIES TURNING ROLLS  
Optional Accessories**

- For steel wheels in place of rubber wheels, ..... Consult Factory
- For foot switch with compatible plug for Forward/Stop/Reverse  
(speed potentiometer on hand pendant), Add.....
- For foot switch, Fast-Slow with compatible plug, Add.....
- For preset digital tachometer with compatible plug reads  
speed in IPM or CmPM, Add.....
- For 25' Extension Cable with compatible plugs for standard  
pendants and accessories, Add .....
- For special voltages, PR-400/200 thru PR-480/120, Add ..... Consult Factory

<b>PRICE LIST</b> For Bulletin No. : Effective Date : January 2014 Page Number : C-30
--