

Safety Bulletin

Prevent Serious Injury or Death

TURNING ROLLS (All Models)

This safety alert is applicable to all brands of turning rolls. Although accidents are rare, our customers must avoid unsafe practices which can cause serious injuries and fatalities resulting from vessel escape. We encourage you to review an updated Turning Roll Manual and forward it, as required, for the safety of your employees in contact with turning roll applications. Your attention to this may prevent a turning roll accident from resulting in a serious injury or death. The updated Turning Roll Manual instructs the operator in the safe use of turning rolls.

FOLLOW GENERAL SAFETY AND STABILITY INSTRUCTIONS

ALL INDIVIDUALS IN CONTACT WITH ANY TURNING ROLL APPLICATION SHOULD READ AND UNDERSTAND SECTION III AND SECTION 1 THROUGH 3 OF THE THE UPDATED INSTRUCTION MANUAL.

ENSURE PROPER PLACEMENT OF WARNING LABELS

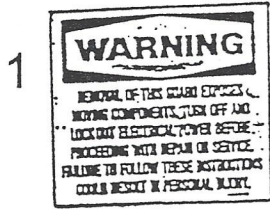
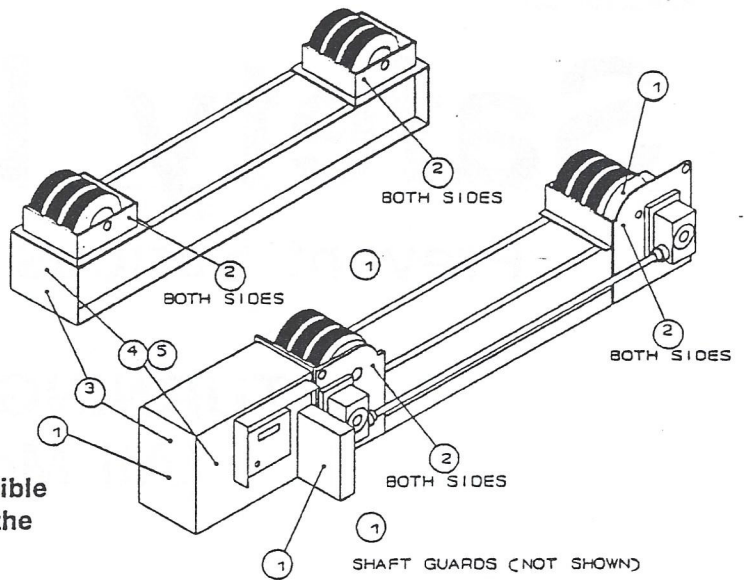
Verify that a warning label is attached to the unit cautioning, "PROPER SPACING, PROPER NUMBER OF ROLLS, AND PROPER ALIGNMENT ARE ESSENTIAL TO PREVENT ACCIDENTS CAUSED BY VESSEL ESCAPE." Verify that warning labels are placed on the sides of the wheel assemblies of each turning roll unit cautioning, "WATCH YOUR HANDS", or "DANGER PINCH POINTS". Verify that a warning label is also attached to the unit cautioning, "DO NOT LIFT OR OPERATE UNTIL YOU HAVE READ THE OPERATOR'S MANUAL." If no such warning labels are currently attached to the equipment, they are commercially available or can be obtained from PANDJIRIS.

PANDJIRIS, INC.

Engineering Solutions
5151 Northrup · St. Louis, MO 63110-2084 · (314) 776-6893

(see back)

Stickers for Power & Idler Rolls



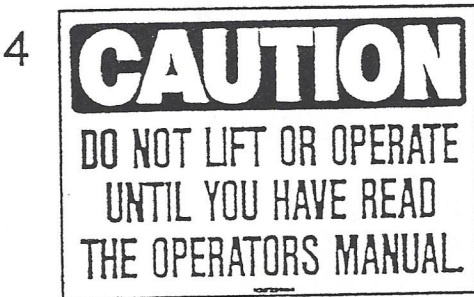
1 Place on all guards covering moving components



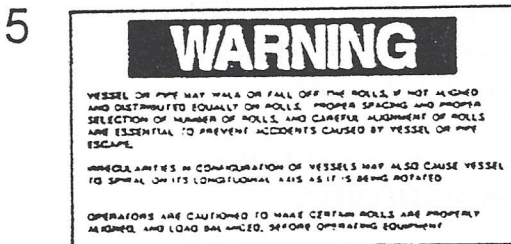
2 Place on frame as close as possible to where a component touches the rolls



3 Place near an anchoring point on base of machine



4 Place in a conspicuous location. Preferably on the control or electrical box. (Not on a removeable guard.)



5 Place next to #4 above or in a conspicuous location (Not on a removeable guard.)

